

- **INSTALLATION MANUAL**

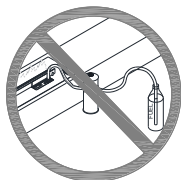
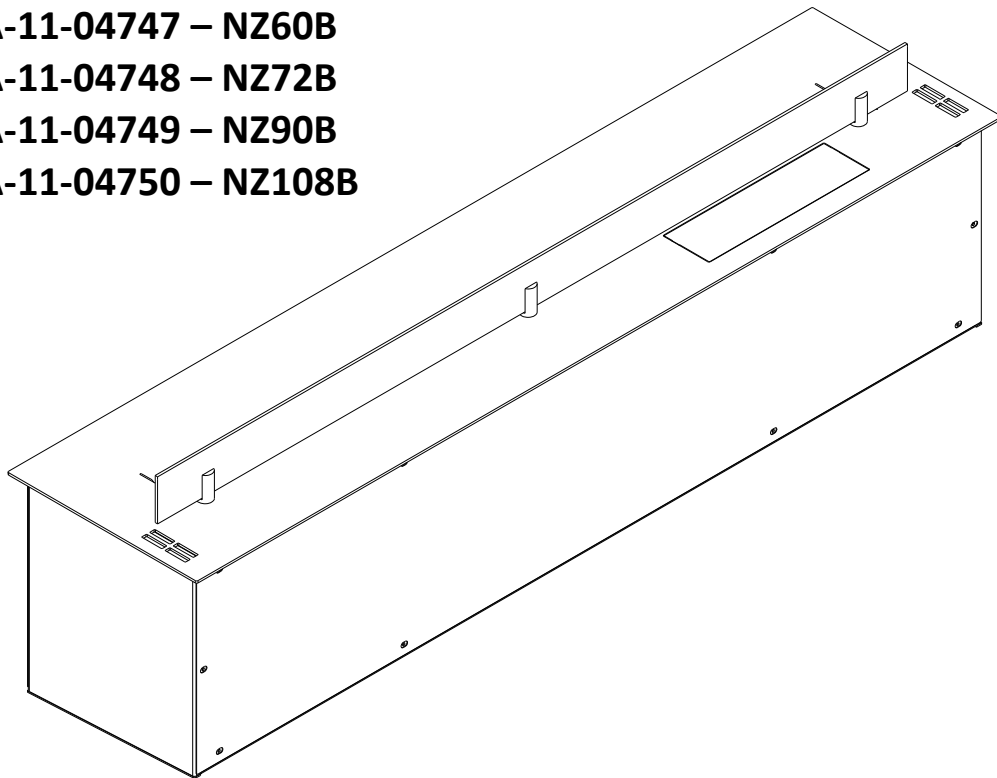
Not applicable when installing in a NetZero firebox.

- **OPERATION AND MAINTENANCE MANUAL**

Please read these instructions completely before installing or operating the NetZero FLA Burner

NetZero FLA Burner Series

Models: AA-11-04745 – NZ40B
 AA-11-04746 – NZ48B
 AA-11-04747 – NZ60B
 AA-11-04748 – NZ72B
 AA-11-04749 – NZ90B
 AA-11-04750 – NZ108B



**Do not fill while
operating**



Flammable



**Keep away from
children**

WARNING

If the information in these instructions is not followed exactly, a fire or explosion may result, causing property damage, personal injury, or loss of life.

Table of Contents

1	IMPORTANT INFORMATION.....	3
	1.1 Certification	3
	1.2 Safety Information	3
	1.3 Locating the Burner	4
	1.4 Ventilation & Required Room Size.....	4
	1.5 Specifications	4
	1.6 Electrical Requirement.....	4
	1.7 Fueling.....	4
2	EQUIPMENT RECEIVED.....	5
	2.1 Standard Equipment	5
	2.2. Optional Equipment.....	5
3	CLEARANCES AND INSTALLATION	6
	3.1 Burner Clearances and Cavity Measurements.....	6
	3.2 Burner Clearances and Cavity Measurements for Multiple Burners.....	8
	3.3 Placing the Burner.....	9
	3.4 Installing Technical Glass	9
	3.5 Recommended Burner Installations	10
4	TV and AC INSTALLATION.....	11
5	HOW TO OPERATE THE BURNER.....	12
	5.1 Components.....	12
	5.2 Fueling.....	12
	5.3 Functions.....	13
	5.4 Wireless control configuration.....	14
6	FLA3 NET-ZERO MOBILE APP	15
	6.1 Menu.....	16
	6.2 Errors.....	17
7	MAINTENANCE.....	17



1 IMPORTANT INFORMATION

1.1 Certification

This product has been certified by OMNI-Test Laboratories, Inc. to:
U.S. Certification Standard UL 1370
Canadian Certification Standard CAN/ULC-S674



ISSUED BY: OMNI-Test Laboratories, Inc.
13327 NE Airport Way
Portland, Oregon 97230

1.2 Safety Information

WARNING:

- 1) Risk of explosion
 - I. Never use any fuel other than the fuels specifically identified for use in the unvented decorative appliance.
Never use gasoline.
 - II. Never refill unvented decorative appliance fuel reservoir when appliance is operating or still hot.
 - III. Never use unvented decorative appliance in areas where flammable vapors or gas may be present.
 - IV. Never store or transport the fuel in anything other than a metal or plastic container that is:
 - A) Acceptable for use with the specific fuel
 - B) Non-red in color
 - C) Is in the original container for the specific fuel
- 2) Never store fuel in the living space or same location as the appliance.
- 3) Due to high surface temperatures, keep children, clothing, and furniture away.
- 4) Risk of indoor air pollution – use unvented decorative appliance only in well-ventilated areas. People with breathing problems should consult a physician before using the unvented decorative appliance.
- 5) Do not use unvented decorative appliance to heat or boil water or use as a cooking appliance.
- 6) Do not use in a room with oxygen tanks in use.

WARNING: This appliance has not been tested with an unvented gas log set. To reduce risk of fire or injury, do not install an unvented gas log set into this appliance.

WARNING: This appliance has not been tested for use with doors. To reduce the risk of fire or injury, do not install doors.

- This product is a decorative burner creating real fire.
- Keep the fuel away while the burner is in operation.
- Wipe up fuel spills immediately with a dry cloth or paper towels.
- Do not make any alterations or put any objects or liquids inside the burner.
- Do not touch the filament or other hot elements.
- Do not transport the burner if fueled.
- Do not leave an operating burner unattended.
- Keep the provided USB cable for inspection purposes.
- Do not use the burner in humid or drafty spaces.

1.3 Locating the Burner

- Do not move or relocate the appliance while in use.
- For indoor use and in housing only. Minimum temperature of use is 50°F (10°C).
- No heat-sensitive or flammable objects can be placed within a 40 inch radius from, or directly above, the burner.
- Do not place any objects on the top of the burner except attached accessories.
- For service purposes, the surrounding area must allow for easy removal of the burner.
- Keep children, animals, and unauthorized persons at a safe distance at all times and never leave them unsupervised when the appliance is on or hot.
- A Class B fire extinguisher must be located in close proximity to the appliance in case of fire.

1.4 Ventilation & Required Room Size

Open fires consume oxygen. Use only in well-ventilated areas and those that are protected from the draft effects of cross ventilation. When selecting a location for the appliance it is important to consider the recommended minimum room sizes and clearances to walls and combustible materials (see Table A). An air exchange rate of 1/hour is recommended.

In a house of typical construction, that is, one that is not of unusually tight construction due to heavy insulation and tight seals against air infiltration, an adequate supply of air for combustion and ventilation is provided through infiltration. The unvented decorative appliance should be installed in a room where at least 200 ft.³ (5.7 m³) of air space is provided for each 1,000 BTU per hour of unvented decorative appliance rating (at maximum burner adjustment). See Table A for recommended minimum room size.

If the burner is installed in a room smaller than the recommended minimum room size, or in a home of unusually tight construction, the door(s) to adjacent room(s) should be kept open or a window to the outside should be opened at least 1 inch (25.4mm) to guard against potential buildup of indoor air pollution.

The decorative appliance may only be installed in a bathroom or bedroom if the room meets the recommended minimum room size.

1.5 Specifications

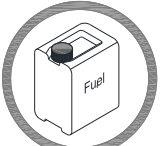
Table A

Burner	Fuel Capacity	Heat Output MAX	Minimum Room Size*	Approx. fuel consumption on MAX setting	Approx. fuel consumption on MIN setting	Approx. burn time on MAX setting – MIN setting
	Gallon - (Liter)	BTU/h	ft ³ – (m ³)	gal/h – (L/h)	gal/h – (L/h)	[h]
NZ40B	3.5 - (13.2)	24,000 – 10,000	4,800 – (136)	0.29 – (1.1)	0.12 – (.46)	12 – 29
NZ48B	4.5 - (17.0)	29,000 – 12,500	5,800 – (164)	0.35 – (1.3)	0.15 – (.58)	13 – 30
NZ60B	5.5 - (20.8)	38,000 – 17,000	7,600 – (215)	0.46 – (1.7)	0.21 – (.78)	12 – 27
NZ72B	7.1 - (26.9)	51,000 – 21,000	10,200 – (289)	0.62 – (2.3)	0.26 – (.97)	11.5 – 28
NZ90B	9.6 - (36.3)	72,000 – 26,500	14,400 – (408)	0.88 – (3.3)	0.32 – (1.2)	11 – 30
NZ108B	12.1 - (45.8)	94,000 – 32,200	18,800 – (532)	1.14 – (4.3)	0.39 – (1.5)	11 – 31.5

1.6 Electrical Requirement

Burners NZ40B, NZ48B, NZ60B, and NZ72B must be connected to a dedicated 115V min.15-amp circuit. Burners NZ90B and NZ108B must be connected to a dedicated 115V min. 20-amp circuit. A junction box for hardwiring the burner must be located in the enclosure under the burner. This is shown in the clearances and installation section of this manual.

1.7 Fueling

	<p>Do not use gel or thick fuels. Only use fuels consisting of 86-96.6% ethanol (not dehydrated) by volume. NetZero Fuel is recommended.</p>
---	---

2 EQUIPMENT RECEIVED

2.1 Standard Equipment

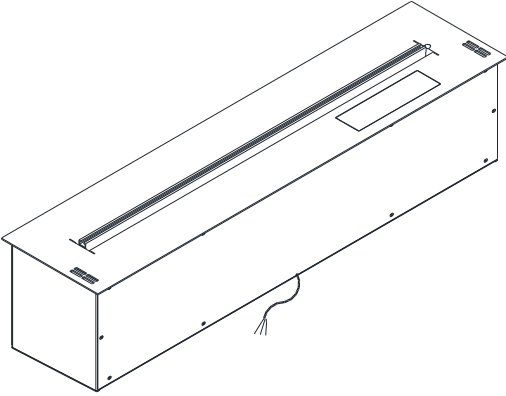
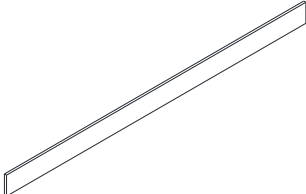
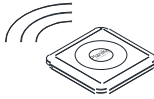
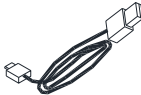

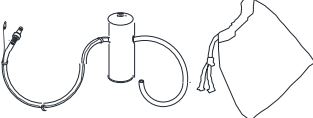



 <p>NetZero FLA Burner</p>	 <p>Technical glass</p>	 <p>Remote control</p>	 <p>USB-C service cable</p>	 <p>Lifting straps</p>
	 <p>T-Fuel pump with protective bag</p>	 <p>Small glass holder</p>	 <p>Screw M3x15</p>	 <p>Users' manual</p>

Table B

QUANTITY OF STANDARD EQUIPMENT							
Burner Model	Remote control	T-Fuel pump with protective bag	USB-C service cable	Small glass holder	Technical glass	Screw	Lifting straps
						M3x15	
NZ40B	1	1	1	2	1	2	2
NZ48B	1	1	1	2	1	2	2
NZ60B	1	1	1	3	1	3	2
NZ72B	1	1	1	4	2	4	2
NZ90B	1	1	1	4	2	4	2
NZ108B	1	1	1	6	2	6	2

2.2. Optional Equipment

Applies to see-through, peninsula and island installations.

For information on installing the large glass barrier kits reference the large glass barrier kits installation manual.

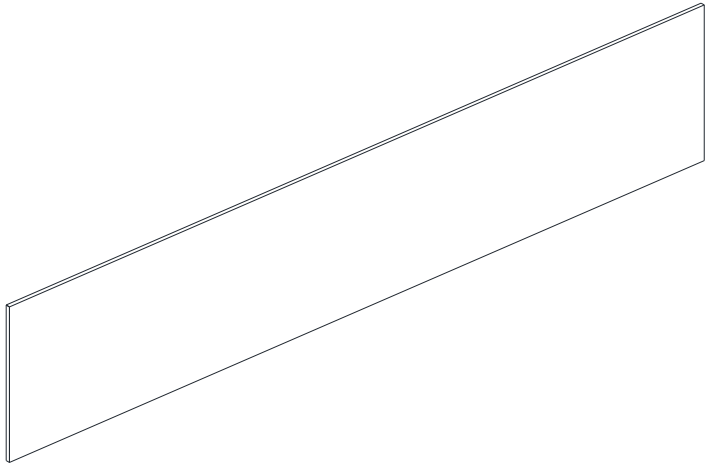

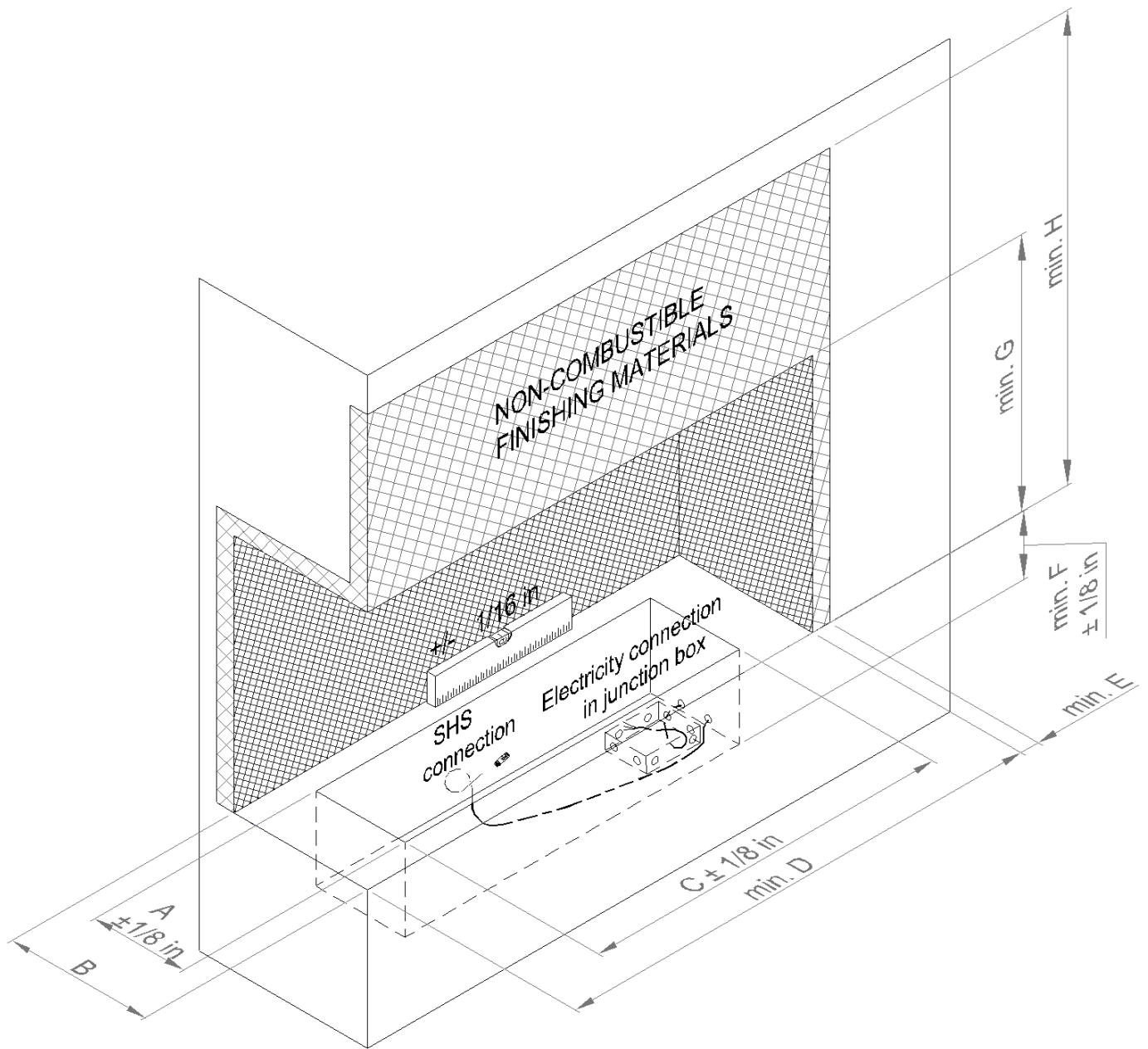
 <p>Large glass barrier</p>	 <p>Large glass barrier holder and mounting hardware</p>
--	---

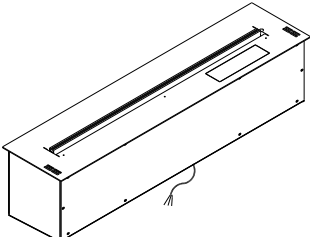
Table C

QUANTITY OF OPTIONAL EQUIPMENT			
Burner Model	Large Glass Barrier Kit Part Number	Large Glass Barrier	Glass Barrier Holders
NZ40B	AA-11-04768	2	4
NZ48B	AA-11-04755	2	4
NZ60B	AA-11-04756	2	4
NZ72B	AA-11-04757	2	4
NZ90B	AA-11-04755 (2x)	4	8
NZ108B	AA-11-04756 (2x)	4	8

3 CLEARANCES AND INSTALLATION

3.1 Burner Clearances and Cavity Measurements



Measurements											
	Burner Model	Electricity connection	SHS connection	A [in]	B [in]	C [in]	D [in]	E [in]	F [in]	G [in]	H [in]
	NZ40B	115V, 60Hz, min. 15A	RJ45	10 ¼"	16"	30 ½"	40"	2"	14"	20"	40"
	NZ48B					38 ¾"	48"				
	NZ60B					46 ¼"	60"				
	NZ72B					58"	72"				
	NZ90B	115V, 60 Hz, min. 20A				77 ¾"	92"				
	NZ108B					97 ¾"	106"				

- Ensure that burner flame is positioned a minimum of 40 inches away from curtains, flammable materials, and other sources of ignition.
- Be aware of drafts. Do not place in areas where fans, vents or open doors or windows could affect the burner.
- The burner must be installed in accordance with the outlined safety requirements and clearances. Only non-combustible materials can be used in the non-combustible zone.

- Materials used in areas designated as non-combustible must be rated as non-combustible per NFPA 220 Standard on Types of Building Construction, or reported as passing ASTM E 136, Standard Test Method for Behavior of Materials in a Vertical Tube Furnace at 750 Degrees C.

WARNING: common finishing materials not approved for use:

- Paper-faced gypsum board (drywall) including Type X Fire Rated board is not a non-combustible material.
- WonderBoard brand boards are commonly used as a backerboard for tile. WonderBoard backerboard is not a non-combustible material.
- Durock brand cement board contains a polymer coated fiberglass mesh. This can smell when heated. For this reason Durock cement board is not approved.

Non-combustible finishing materials must be insulated from any combustible elements of the construction such as wood framing. This can be accomplished by one of the following:

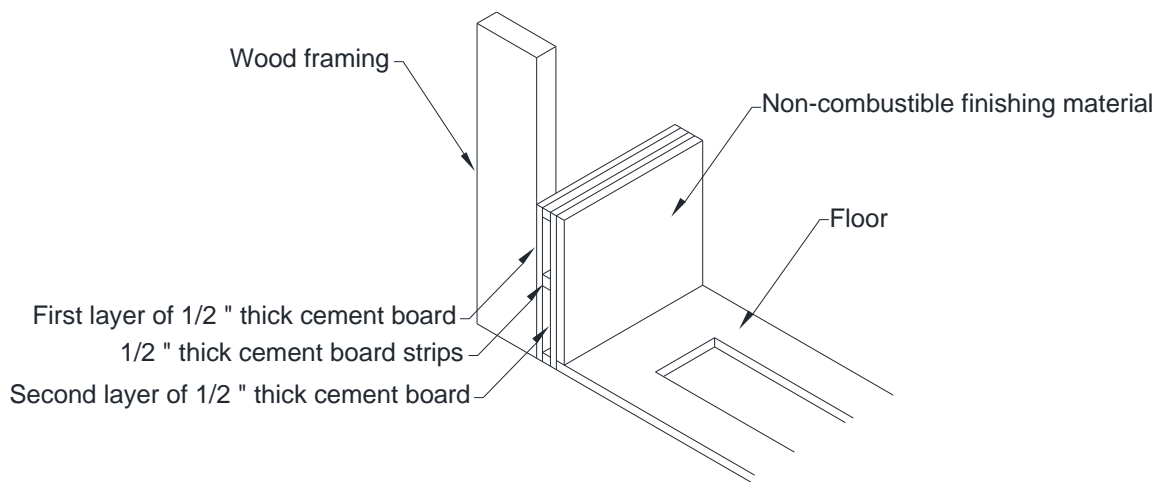
Option 1: Construct the enclosure using only non-combustible finishing materials and framing. Use steel studs and non-combustible material to build the enclosure for the burner.

Option 2: Create an air gap behind the non-combustible finishing material by following the method shown below. The gap between the material can be left open or insulated with mineral wool.

Method for creating an air gap behind non-combustible finishing material:

Hardibacker 500 or other non-combustible rated cement board is recommended for use in constructing the enclosure. Do not use Durock or WonderBoard brand cement board. These boards are not rated as non-combustible materials and will off gas or deteriorate when subjected to heat.

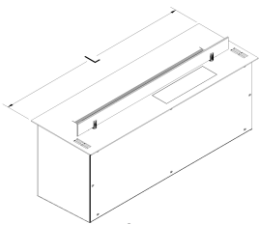
1. Install a ½" thick cement board to the wood framing.
2. Cut 2" wide strips of ½" thick cement board to use as spacers between the first layer of ½" thick cement board and a second layer of ½" thick cement board. This will create an air gap between the two boards.
3. Install a second layer of cement board to the strips. The gaps between the strips can be left open or insulated with mineral wool.
4. Install the desired non-combustible finishing material to the second layer of cement board.



- The bottom of the enclosure that holds the burner can be constructed from any construction material including combustible materials.
- In the non-combustible area use only fasteners and adhesives that are resistant to a temperature of 300°F (150°C). For an adhesive, High Temp 450°F silicone adhesive is recommended.
- The minimum F dimension of 14" allows for a 2" tall junction box. If a taller junction box is used increase the depth of the cavity.

3.2 Burner Clearances and Cavity Measurements for Multiple Burners

To create longer, or custom size burners multiple burners can be placed together in the same cavity. Follow the chart below when building a cavity for a multiple burner arrangement. The C and D dimensions will be calculated from the total length of the burners placed together. An example is given below.

Measurements										
	Burner Model	L [in]	A [in]	B [in]	C [in]	D [in]	E [in]	F [in]	G [in]	H [in]
	NZ40B	31 1/8"	10 1/4"	16"	Total Length of Burners - 5/8"	Total Length of Burners + 10"	2"	14"	20"	40"
	NZ48B	39"								
	NZ60B	46 7/8"								
	NZ72B	58 5/8"								
	NZ90B	78 3/8"								
	NZ108B	98"								

Example: Two burners are placed together.

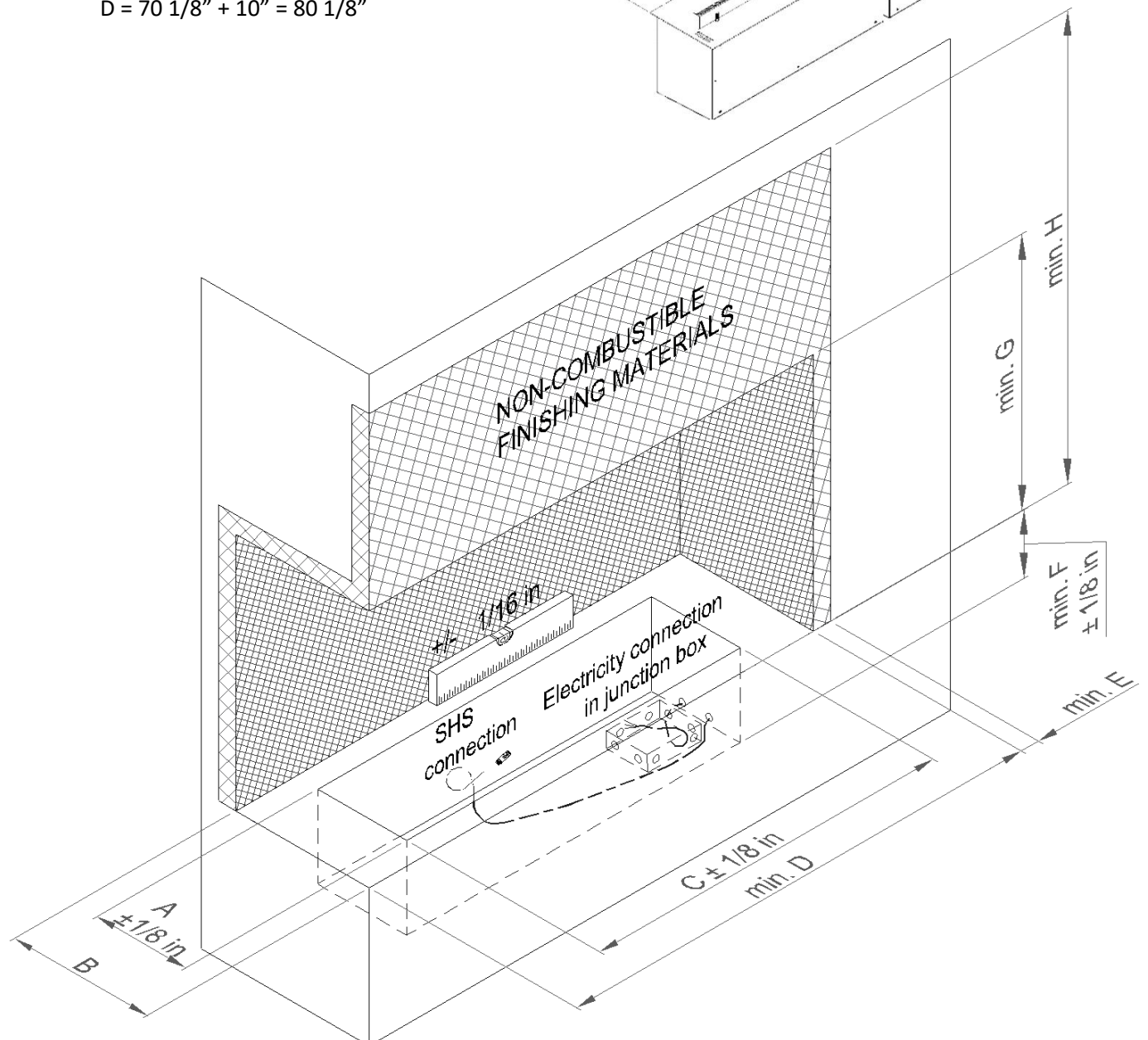
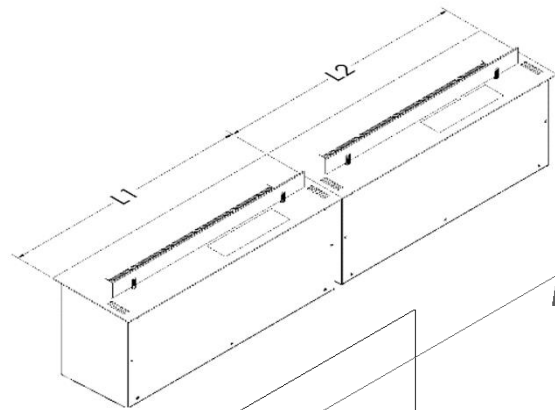
Burner 1: NZ36B – Length = 31 1/8"

Burner 2: NZ48B – Length = 39"

Total Length = 31 1/8" + 39" = 70 1/8"

C = 70 1/8" - 5/8" = 69 1/2"

D = 70 1/8" + 10" = 80 1/8"



3.3 Placing the Burner

①

② Insert the burner into the cavity

③ Remove the lifting straps and save them.

④

Remove adhesive protective foil

Connect electricity wires in junction box

Connect SHS connection (optional)

Scan or click to watch the video instruction

<https://www.youtube.com/watch?v=b5dETFNTBW4&feature=youtu.be>

3.4 Installing Technical Glass

Place technical glass

②

M3x15 Screw

Screw small holder

①

③ Fasten the bolts

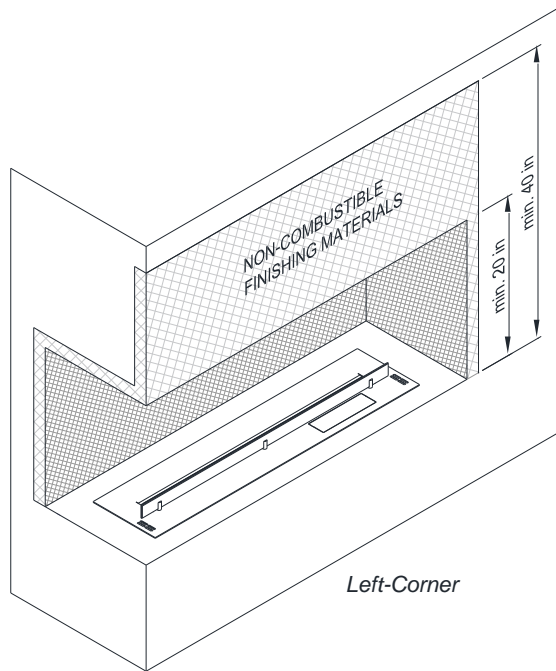
Scan or click to watch the video instruction

<https://www.youtube.com/watch?v=b5dETFNTBW4&feature=youtu.be>

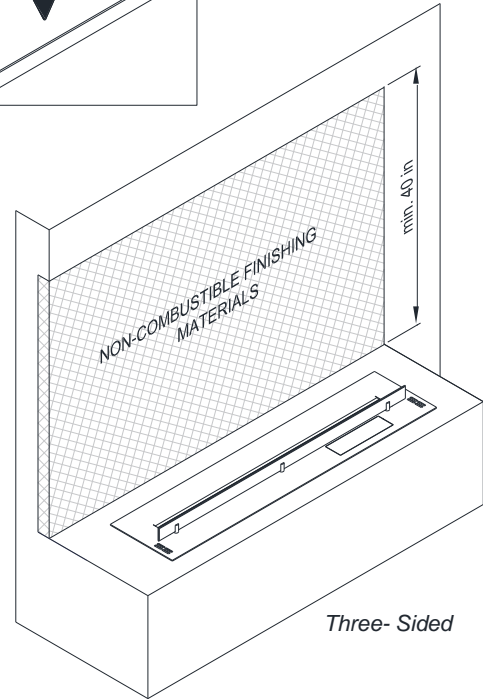
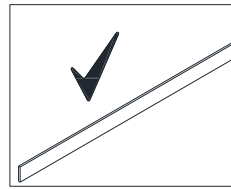
3.5 Recommended Burner Installations

Installation requiring technical glass

Single-Side, Left-Corner, Right-Corner and Three-Sided Installations



Left-Corner

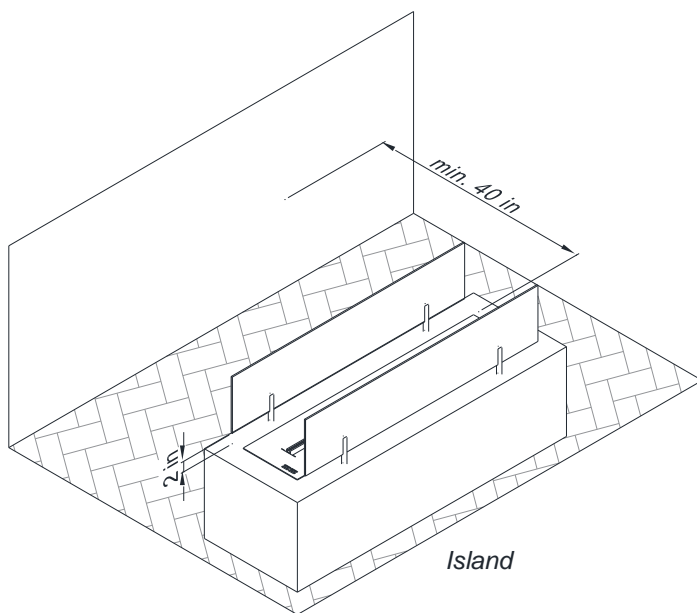
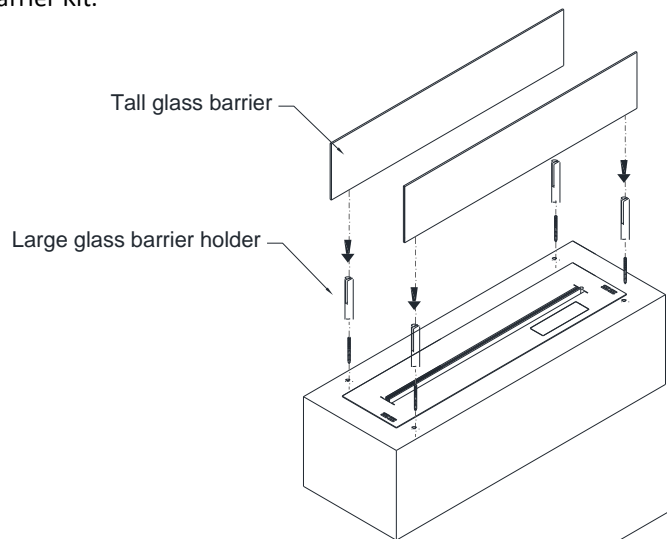
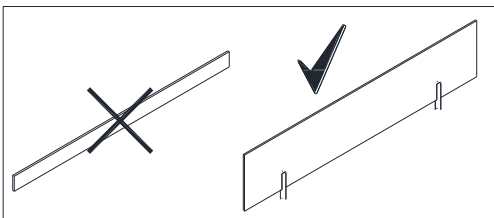


Three-Sided

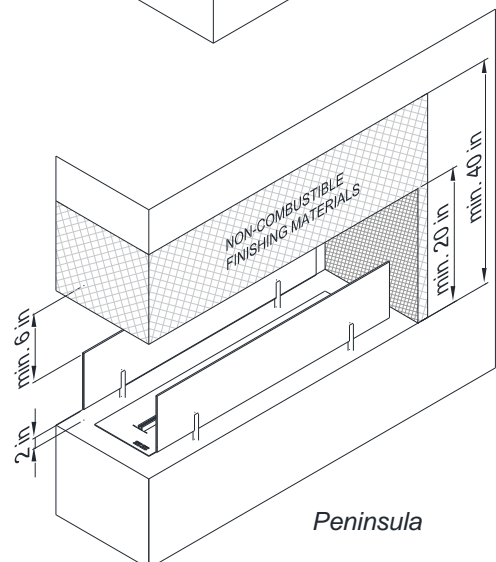
Installation requiring large glass barrier kit

See-Through, Peninsula and Island installations

For these installations, the Large Glass Barrier Kit must be used. For additional information on installing the Large Glass Barrier Kit reference the installation manual for the Large Glass Barrier Kit.



Island

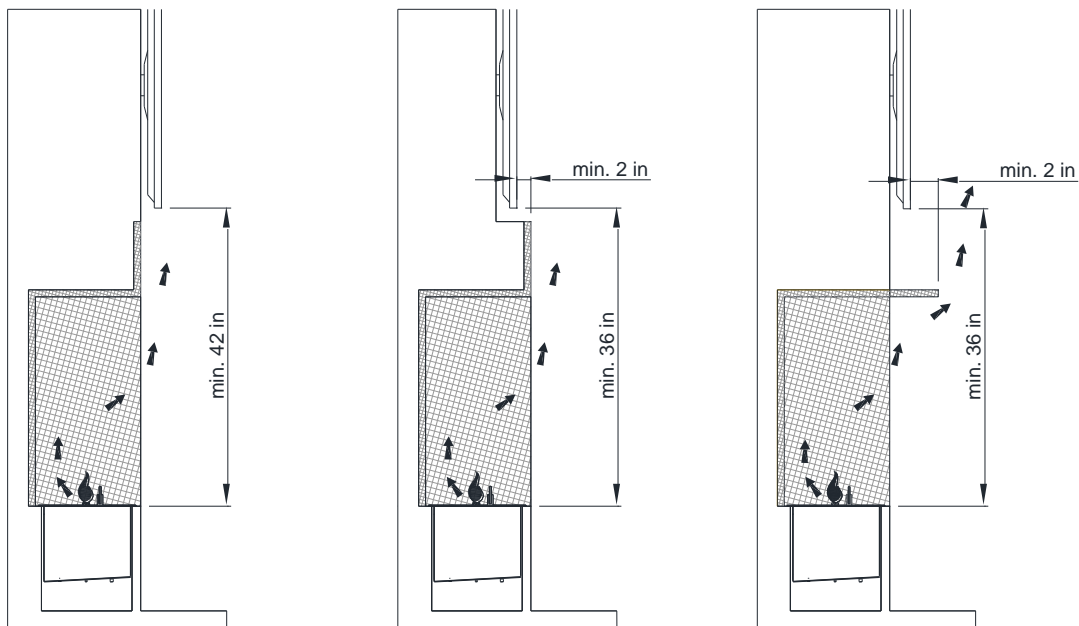


Peninsula

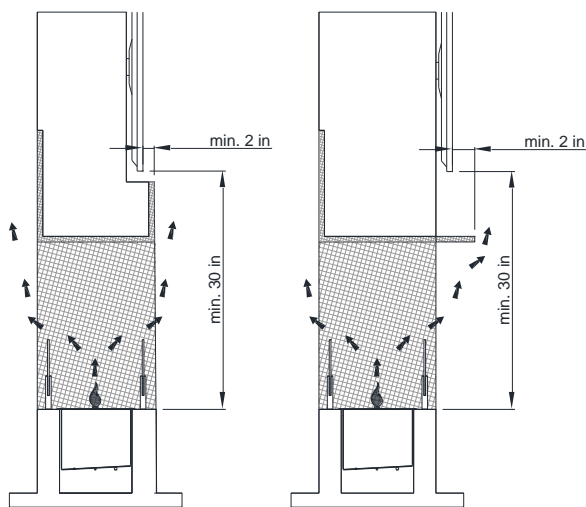
4 TV and AC INSTALLATION

A TV can be installed above the burner enclosure by following the methods shown below.

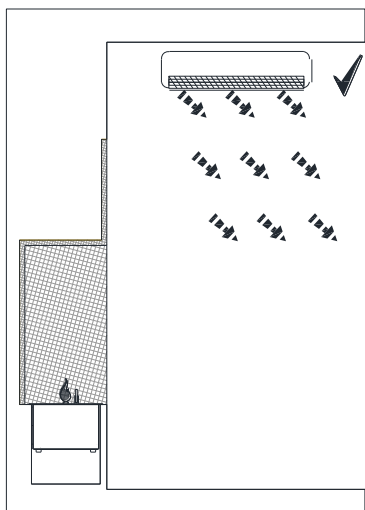
Single-Sided, Left-Corner, Right-Corner and Three-Sided Installations



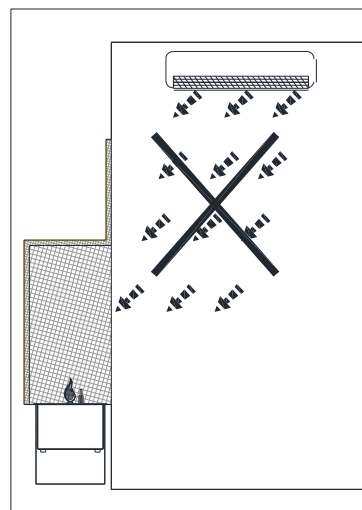
See-Through and Peninsula Installations



If an air conditioning vent or fan is located near the burner the vent or fan must be positioned to blow away from the burner.

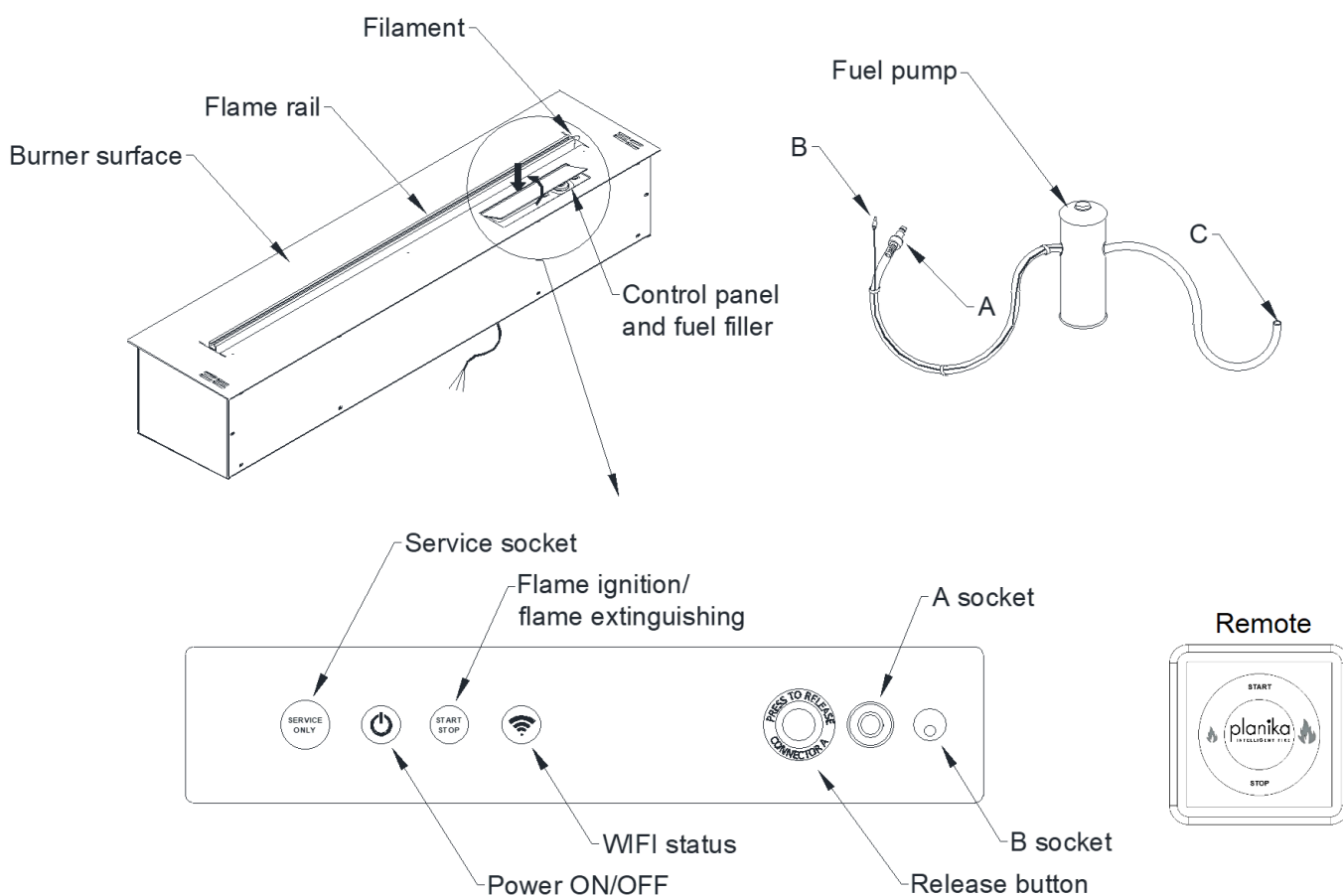


AC




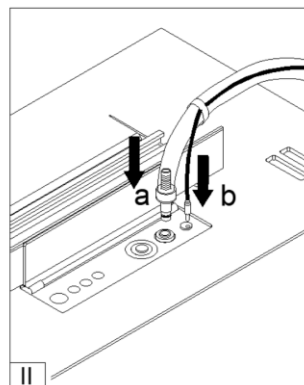
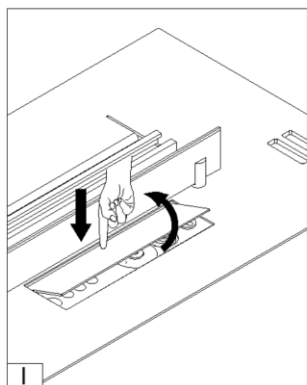
5 HOW TO OPERATE THE BURNER

5.1 Components

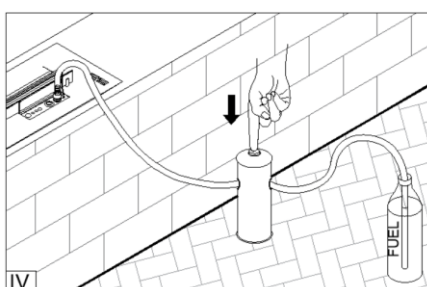
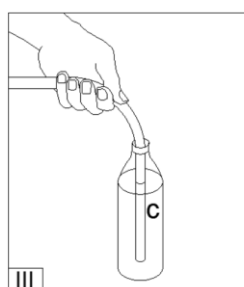


5.2 Fueling

- Open the lid (I) and turn the burner on by pressing .
- If the fuel tank is empty (**START/STOP BUTTON BLUE LIGHT ON**) or you want to add fuel to the burner, firmly plug in the fuel pump inlet 'a' (**YOU WILL HEAR A "CLICK"**) and the power cord 'b' (II) (**BLUE LIGHT FLASHING**).

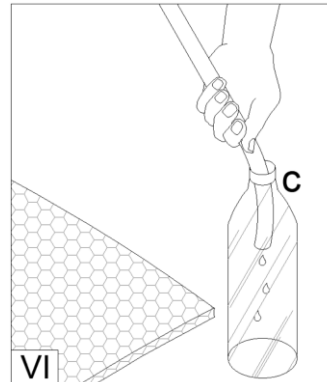
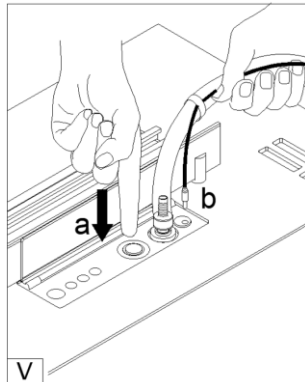


- Place the fuel container stably on the floor and insert the pump hose 'c' (III). Press and hold the button on the pump to start fueling (IV).




When the fuel bottle is empty, replace it with a full one and continue using the pump (see: section 'c' above). The pump will stop refilling when the fuel tank is full (**YOU WILL HEAR A "BEEP"**).

- d) Unplug the power cord 'b'. To unplug the pump, hold the pump inlet 'a' and firmly press the release button (V).
- e) Shake the remaining fuel from the hose 'c' to the container and place the pump in the bag (VI).



5.3 Functions



a) Flame ignition

Open the lid (I) and turn the burner on by pressing .

When the **START/STOP** button is lit up in green, the burner is ready to be ignited.

Press **START/STOP** button on the burner or **START** button on the remote. Ignition of the burner takes from 2 to 10 minutes (**FLASHING GREEN LIGHT**). When the light stops flashing, the burner has ignited and has reached the working temperature.

b) Flame height regulation

When the flame is on press the  or  button on the remote or scroll the flame level bar in the mobile app to choose one of the six flame heights. The flame starts on height 4 by default.

ATTENTION! If the burner temperature is too high, the flame will be automatically lowered, and the height regulation blocked. If the temperature keeps increasing, the flame will be extinguished automatically (**RED LIGHT**).


c) Flame extinguishing

To extinguish the flame press, **START/STOP** button on the burner or **STOP** button on the remote. When the flame is being extinguished, fans within the burner are turned on to speed up the cooling process.

(FLASHING RED LIGHT) indicates the burner is being cooled. Restarting the flame or refueling the burner is possible only after complete cooldown of the device (**GREEN LIGHT**).

d) Turning the burner off

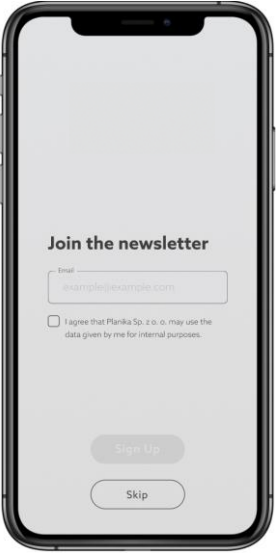
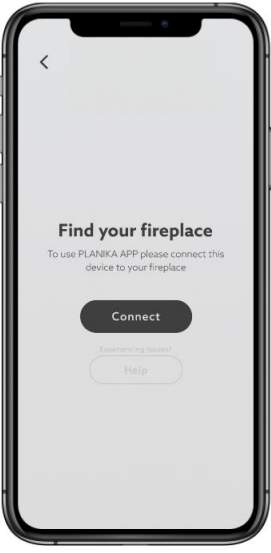
To turn the burner OFF, press .


The burner will automatically turn off in case of any work related errors. (**FLASHING VIOLET LIGHT WITH ALARM**) indicates that an error has occurred. (check the error in the mobile app). Press  to turn the burner OFF/ON to reset the burner.

5.4 Wireless control configuration



Download the **FLA3 NET-ZERO** app on your mobile device from the app store.

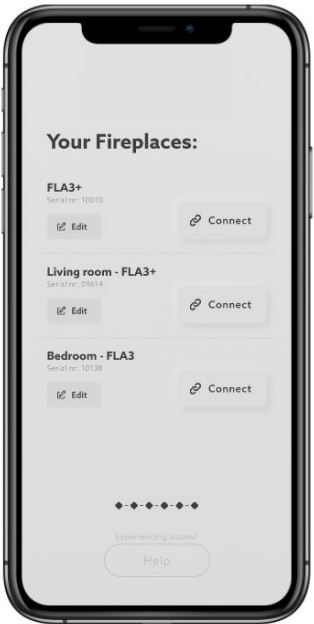
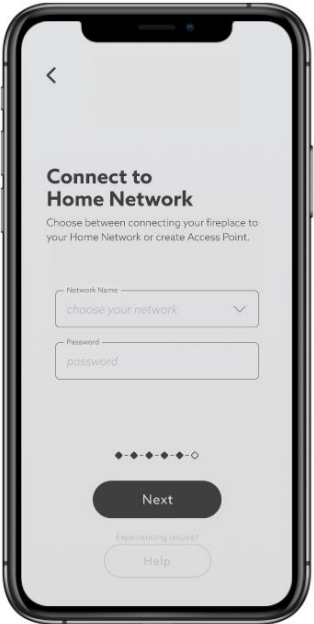
Follow these instructions to pair the burner with the mobile app. If you have multiple burners follow the instructions to pair each burner individually (simultaneous pairing of more than one burner is not possible).

<p>Join the newsletter</p>		<p>Find your fireplace</p>	
<p>1. Launch the mobile app. Join the newsletter by submitting your e-mail address and pressing SIGN UP or simply press SKIP.</p>		<p>2. On the FIND YOUR FIREPLACE screen press CONNECT to start the network search.</p>	

3. Press and hold the WiFi button  on the fireplace. When the button starts flashing, the fireplace is ready to be paired for 5 minutes.




<p>Setup Network Active</p>		<p>Connect to Home Network</p>	
<p>4. On the mobile device make sure WiFi is turned on. Find and connect to the Planika_WiFi_setup network. (if the network is not visible, turn the burner off for 10 seconds then turn it back on and repeat step 3). The burner will be automatically found by the mobile app, which will be confirmed by the app (SETUP NETWORK ACTIVE). Press CONNECT.</p>		<p>5. On the CONNECT TO HOME NETWORK screen, choose the name of the network which you plan to use by default (NETWORK NAME) and enter its password. Make sure the password is correct and hit (NEXT).</p>	



Your fireplaces		Access Point	
<p>6. On the following screen (YOUR FIREPLACES), choose your burner and press CONNECT. The screen also allows you to change the name of the burner (EDIT).</p>		<p>7. You can also create a dedicated network ACCESS POINT and connect the mobile device directly to the burner. This allows use of the app if a home network is not available. To do that, press (HELP), choose (CONNECTION TYPE), and (ACCESS POINT), then confirm by pressing (CREATE ACCESS POINT). Enter a new name for the network and a password. Confirm by pressing NEXT.</p>	



After successful configuration, the WiFi button will light up (**GREEN**).

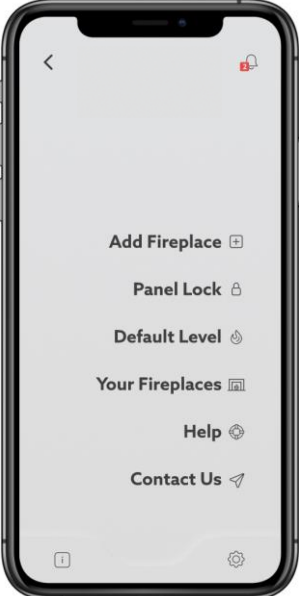
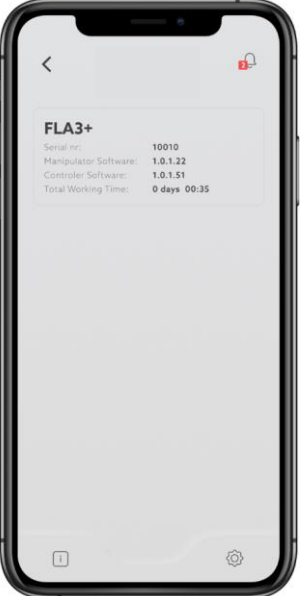
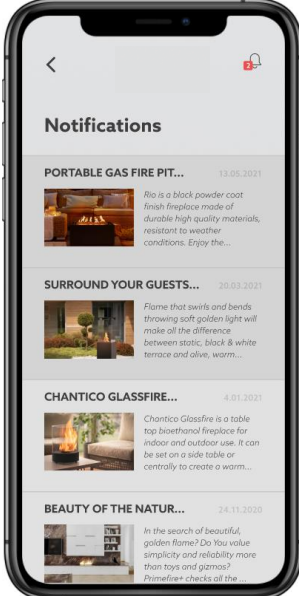


6 FLA3 NET-ZERO MOBILE APP

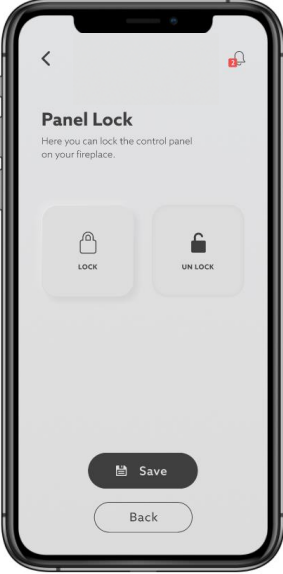

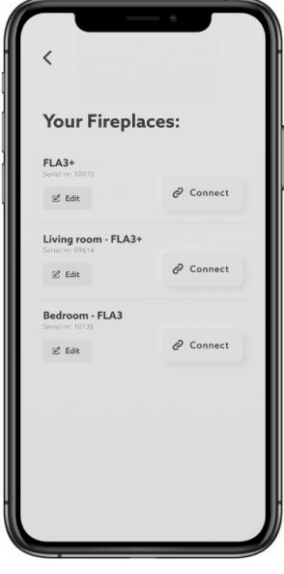

	<ol style="list-style-type: none"> 1. Notifications 2. Burner status 3. Fuel level 4. Flame height 5. Start and stop 6. Info 7. Menu
---	---

6.1 Menu

To access menu, press the  button. To go back to the main panel, press **BACK** 

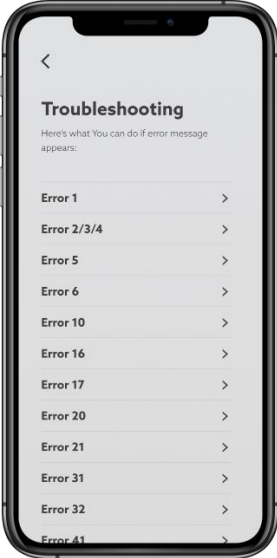

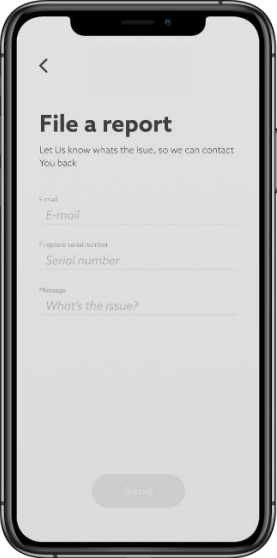
To access general information about the fireplace, press the  button. The notifications are available by pressing the  button.

Menu	Info	Notifications
		
<p>Main app setup. Press the tab to change the settings.</p>	<p>Press the  button to check the general information of the burner.</p>	<p>Press the  button to check the notifications</p>

Panel Lock	Default Level	Your fireplaces	Contact us
			
<p>When the burner is OFF the control panel can be locked. Press LOCK to lock the control panel on the burner. Press UNLOCK to unlock the control panel on the burner. Confirm by clicking SAVE.</p>	<p>Change the default start-up flame height. Press SAVE to confirm the change. Press RESET to reset your choice. The default setting of the flame is height 4.</p>	<p>Check available fireplaces. Press EDIT to change the device name. Press CONNECT to connect to the device.</p>	<p>Contact us by e-mail. Press SEND to send us an e-mail.</p>

6.2 Errors

If an error occurs it will be displayed in the burner status. To see what the error is access the troubleshooting section of the app by pressing the **HELP** tab in the main **MENU**.

Help	Error	File a Report
		
<p>Press HELP in the main MENU to access the Troubleshooting tab.</p>	<p>Fix the error with the provided information. If the error proceeds to appear, contact us by pressing REPORT.</p>	<p>If still in need of service, send us a message with a short description of the problem and general information. Press SEND.</p>

7 MAINTENANCE

NetZero burners are considered maintenance free, meaning they do not require regular servicing. To ensure the burner is in proper condition, the manufacturer suggests visually inspecting the condition of the nozzles on the flame rail while the burner is off. The nozzles should be round and regular. Any signs of corrosion on the flame rail, irregular flame pattern or any other erratic behavior of the burner should be immediately reported to the seller or distributor of the burner.

Regularly clean the surface of the burner with a soft, dry cloth. While cleaning, please be aware that due to the design of the burner, the filament protrudes above the burner surface. If put to mechanical stress the filament may break.

8 WARRANTY

SUMMARY

NetZero Renew Products are under a 2-year warranty from the moment of delivery to the Purchaser. The warranty covers possible hidden structural, or material defects and hidden damage of electronic parts revealed during proper operation. The warranty does not cover damage that occurs as a result of improper operation.

CONDITIONS

- This warranty is offered on condition that the Purchaser follows all assembly and operation rules that are included in the user's manual attached to each Product.
- The warranty does not cover any damage that occurs due to faulty operation of the Product.
- The warranty does not cover accessories that are sent with the Product.
- Any attempt to repair the Product on one's own or to undo the seal results in lost warranty coverage.
- All repairs are to be carried out in the Manufacturer's headquarters (except for instances in which the Manufacturer agrees to be conducted on-site).
- The warranty does not cover any changes or discoloration that occur as the effect of normal operation.
- A copy of the invoice as proof of purchase is required for the consideration of the warranty claim.
- The warranty does not cover unforeseeable events that are independent of normal operation conditions (floods, fires etc.).
- The original packaging must be retained.
- Follow these requirements when logging a complaint and shipping damaged product:
 - All the fuel must be pumped out from the reservoir.
 - The device must be packed into the original packaging in which it was purchased.
 - Send to the Manufacturer:
NetZero Fire
1155 Sherman Road
Hiawatha, Iowa 52233
- If the complaint is not accepted the Purchaser will cover the repair and transportation costs.
- The Purchaser is responsible for securing the Product against any damage during transportation to Manufacturer headquarters.
- The Manufacturer will give the Purchaser a written answer within 30 days from the receipt of a complaint by the Purchaser.
- The Manufacturer does not ensure any replacement Product during the time of repair.

This warranty is given on condition that the Purchaser carefully reads the Product manual and follows all assembly and operation rules that are included therein.

NetZero is a distributor of these products, which are designed and manufactured by Planika SP S O O. **THERE ARE NO WARRANTIES WHICH EXTEND BEYOND THE DESCRIPTION ON THE FACE HEREOF AND SUPPLIED MANUALS. IMPLIED WARRANTIES OF MERCHANTABILITY, IMPLIED WARRANTIES OF FITNESS, IMPLIED WARRANTIES OF WORKMANSHIP AND OTHER IMPLIED WARRANTIES ARE EXCLUDED BY NETZERO.**