

# NETZERO™

## KALFIRE E one

### **INSTALLATION AND OPERATION MANUAL**

Please read these instructions completely before installing or operating the E-one fireplace.

## **NetZero Kalfire E-one Electric Fireplace**

**Models: AA-11-05388 – E-one 100F**

### **IMPORTANT**

**Please read these instructions carefully before installation.  
Failure to follow them could result in serious injury.**

**This appliance must be installed by a qualified installer.**

**The installation and wiring connections must be done in accordance with the national and local codes having jurisdiction.**

**For use with 120V 60Hz electrical supply only.  
This appliance must be grounded.**

**The heater outlet becomes hot while in operation.  
Never cover the heater outlet or any other part of the appliance.**

**SAVE THESE INSTRUCTIONS**



<b>Table of contents</b>	
<b>1 INTRODUCTION</b>	<b>3</b>
1.1 Receiving Inspection	3
1.2 Certification	3
<b>2 GENERAL SAFETY REGULATIONS</b>	<b>3</b>
2.1 Additional General Safety Regulations for Atmos Heating	4
2.2 Disposal	4
2.3 California Proposition 65 Warning	4
<b>3 ASSEMBLY OF THE FIREPLACE</b>	<b>5</b>
3.1 Required Tools	5
3.2 Included Hardware	5
3.3 Removal of Covers	5
3.4 Adjustable Feet	5
3.5 Rear Screen Assembly	5
3.6 Top Screen Assembly	6
<b>4 INSTALLING THE FIREPLACE</b>	<b>7</b>
4.1 Light / Illumination	7
4.2 Viewing Height	7
4.3 Connecting Fireplace to Power	7
4.4 Ventilation Openings	7
4.5 Framing Dimensions	7
4.6 Wall Dimensions	8
4.7 Fireplace Finishing in Combination With Atmos Heating	8
<b>5 SETTING UP THE FIREPLACE</b>	<b>9</b>
5.1 Flat Bottom Plate	9
5.2 (Optional) Placing Design Bottom Plates	9
5.3 Placing Lower Sidewalls	10
5.4 Log Set Installation	10
5.5 Placing Glass Reflector	12
5.6 Placing Upper Side Walls	12
5.7 Placing Front Window	13
<b>6 E-ONE OPERATION</b>	<b>14</b>
6.1 Main On/Off Switch	14
6.2 Hotel Switch	14
6.3 Remote Control Pairing	14
6.4 E-One Remote and Symbols	15
<b>7 MAINTENANCE</b>	<b>16</b>
7.1 Cleaning The Fireplace	16
7.2 Cleaning The Glass Reflector	16
<b>8 WARRANTY</b>	<b>17</b>
<b>9 TECHNICAL DATA</b>	<b>17</b>
9.1 Specifications	17
9.2 Serial Number Label	17
9.3 Wire Diagram	18
9.4 Dimension Drawing	19

# 1 INTRODUCTION

NetZero Fire stands for innovation and quality. This is why we work continuously on the further development of our products. We reserve the right to make changes to the form, technology, and design of the products we sell. No claims can be made on the basis of information and figures from this manual.

This manual is protected by copyright. All rights are reserved, particularly the right to copy, translate, and process.

The fireplace may only be installed by a qualified installer, in accordance with national or local regulations. Please read this installation manual carefully.

## 1.1 Receiving Inspection

On receipt, check the following:

- 1) Verify that the packaging is not damaged
- 2) Check the glass panels and display screens of the product for cracks.
- 3) Check that you have received the following parts:
  - Fireplace: E-one
  - Log and media set
  - Top screen
  - Rear screen (placed inside E-one)
  - Glass reflector
  - Front window
  - E-one remote control
  - Installation and operating instructions
  - Design bottom plates (option)
  - Side walls (4x)
  - Adjustable feet (incl. nut) (4x)
  - Rear screen mask
  - Rear screen bracket
  - Top LED rear screen bracket
  - Fasteners

Note: Before installing the rear screen, top screen, and rear screen mask remove the protective film.

## 1.2 Certification

This product has been certified by:  
Intertek  
545 E Algonquin Rd  
Arlington Heights, IL 60005



**This appliance has been certified to the American and Canadian National Standards:  
ANSI/UL 2021 – CAN/CSA C22.2 NO. 46**



**This device complies with Part 15 of the FCC Rules.  
Operation is subject to the following two conditions:**

- (1) This device may not cause harmful interference, and
- (2) This device must accept any interference received, including interference that may cause undesired operation.

Note: This product has been tested and found to comply with the limits for a Class B digital device, pursuant to Part 15 of the FCC Rules. These limits are designed to provide reasonable protection against harmful interference in a residential installation. This product generates, uses, and can radiate radio frequency energy and, if not installed and

used in accordance with the instructions, may cause harmful interference to radio communications. However, there is no guarantee that interference will not occur in a particular installation. If this product does cause harmful interference to radio or television reception, which can be determined by turning the equipment off and on, the user is encouraged to try to correct the interference by one or more of the following measures:

- Reorient or relocate the receiving antenna.
- Increase the separation between the equipment and receiver.
- Connect the equipment into an outlet on a circuit different from that to which the receiver is connected.
- Consult the dealer or an experienced radio/TV technician for help.

Changes or modification not expressly approved by the party responsible for compliance could void the user's authority to operate the equipment.

**This device contains licence-exempt transmitter(s)/receiver(s) that comply with Innovation, Science and Economic Development Canada's licence-exempt RSS(s). Operation is subject to the following two conditions:**

1. This device may not cause interference.
2. This device must accept any interference, including interference that may cause undesired operation of the device.

Contains IC: 3147A-602230C  
CAN ICES-003B / NMB-003B

NetZero Fire  
1155 Sherman Road  
Hiawatha, IA 52233  
(800) 553-5422

# 2 GENERAL SAFETY REGULATIONS IMPORTANT INSTRUCTIONS

When using electrical appliances, necessary precautions must always be taken to reduce and/or prevent the risk of fire, electric shock, and personal injury:

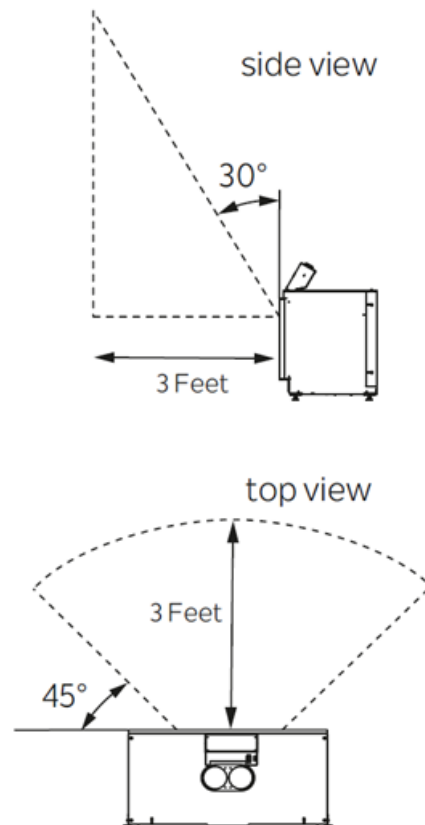
- Read all instructions before installing or using this heater.
- Follow the installation steps described in this manual.
- Leave maintenance and repairs to a qualified service provider: danger of electrocution!
- Caution: to reduce the risk of electric shock, do not remove the ember bed.
- The unit contains no user-serviceable parts, except cleaning of the glass reflector and front window.
- If the unit is damaged, contact the supplier first.
- Do not use the fireplace outdoors.
- Do not burn wood or other materials in this appliance.
- If the fireplace is switched on, the ambient temperature of the room in which the fireplace is placed must be between 40 and 85 degrees Fahrenheit.

- Ambient temperature during storage and transport should be between -5 and 140 degrees Fahrenheit.
- Do not use the fireplace in the immediate vicinity of a bath, shower, or swimming pool. The relative humidity must be <85%.
- Do not place the fireplace directly under a wall socket or junction box.
- If a malfunction occurs, set the main switch on the front panel to 0 (OFF).
- Do not place the unit on carpet or rugs.
- To prevent overheating of the fireplace, it must not be covered. Do not place any material in front of or against the unit and, in particular, do not obstruct the air circulation around the unit. When materials overheat, there is a risk of fire.
- The fireplace may be operated by children aged eight years and over and by people with reduced physical, sensory, or mental abilities provided they have demonstrated an understanding of the instructions relating to the safe use and the dangers of the fireplace. Children should not be allowed to play with the fireplace or be involved in any tasks pertaining to the maintenance of the fireplace. Children are not allowed to play with the fireplace. Children must not clean the fireplace or perform user maintenance without parental supervision.
- Children under the age of 3 should not be allowed near the fireplace without adult supervision. Children from three to seven years old may only switch the fireplace on/off provided that it is placed or installed in its intended normal working position and that they have been given explanation and instructions on how to use it safely and understand the dangers. Children three to seven years old must not clean the fireplace or perform user maintenance.
- If the power lead becomes damaged, it must be replaced by the supplier or another qualified service provider to avoid danger.

### 2.1 Additional General Safety Regulations for Atmos Heating

- The fireplace does not have an automatic temperature regulator. If the fireplace is installed in a small room, each person present in the room must be able to leave the room independently. Any person who is not, must be continuously supervised.
- Some parts of the fireplace can become very hot and could potentially cause burns. Always maintain supervision of children and vulnerable people around the fireplace.
- Do not insert or allow foreign objects to enter any ventilation or exhaust opening as this may cause an electric shock or fire or damage the heater.
- To prevent a possible fire, do not block air intakes or exhaust in any manner.
- A heater has hot and arcing or sparking parts inside. Do not use it in areas where gasoline, paint, or flammable vapors or liquids are used or stored.

- Use this heater only as described in this manual. Any other use not recommended by the manufacturer may cause fire, electric shock, or injury to persons.
- Do not install electronics, artwork, or any other item that can be damaged from heat rising from the heater above the heater. NetZero Fire will not be responsible for any damage to these items.
- Furniture, curtains, and other combustible materials must be placed at least 3 feet (1 m) away from the fireplace. Combustible materials must not be placed within the dashed outlines shown below.



## SAVE THESE INSTRUCTIONS

### 2.2 Disposal

Recycle in accordance with Code of Federal Regulations (CFR), Title 40, Part 273. This device is classified as electrical and electronic equipment. As such, it must not be disposed of with household waste. At the end of its useful life please take this product to an appropriate recycling center or collection point. You can find your nearest recycling drop off point by contacting your locality's waste management office.

### 2.3 California Proposition 65 Warning

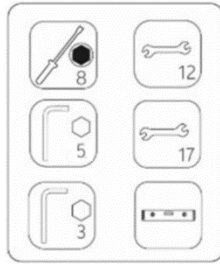


**WARNING:** Cancer and Reproductive Harm – [www.P65Warnings.ca.gov](http://www.P65Warnings.ca.gov).

### 3 ASSEMBLY OF THE FIREPLACE

#### 3.1 Required Tools

- 8mm Nut Driver or Socket
- 5mm Allen Wrench
- 3mm Allen Wrench
- 12mm Wrench
- 17mm Wrench
- Level



#### 3.2 Included Hardware

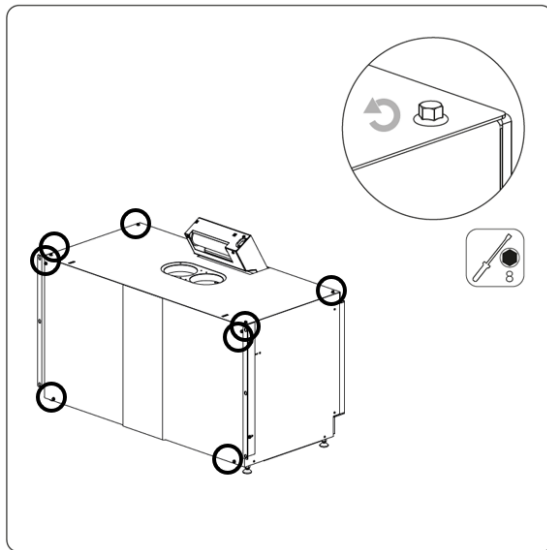
- 4 X Adjustable feet
- 4 X (M6 x 8) Screws
- 2 X (M5) Nuts
- 2 X (M5 x 10) Bolts



Do not use tie wraps to re-fasten cables during installation.  
While assembling the fireplace, place the fireplace on a piece of cardboard or rug to protect the floor from damage from metal parts.

#### 3.3 Removal of Covers

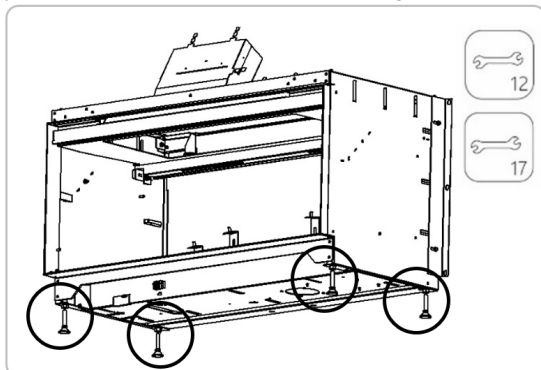
Remove the top and rear cover from the fireplace. The rear screen will be visible after removing the rear cover.



#### 3.4 Adjustable Feet

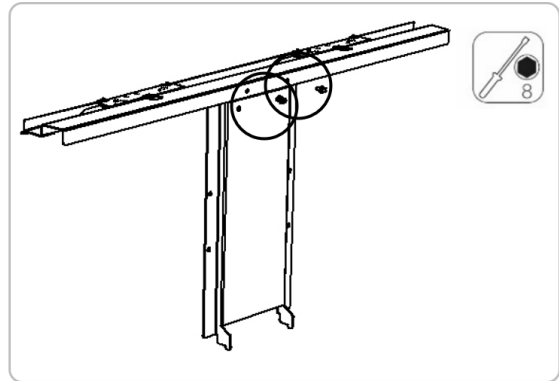
Lift the fireplace straight up to install the adjustable feet. Do not tip it on its back or sides.

Note: Before installing the feet place the fireplace on a protected surface such as cardboard or a rug.

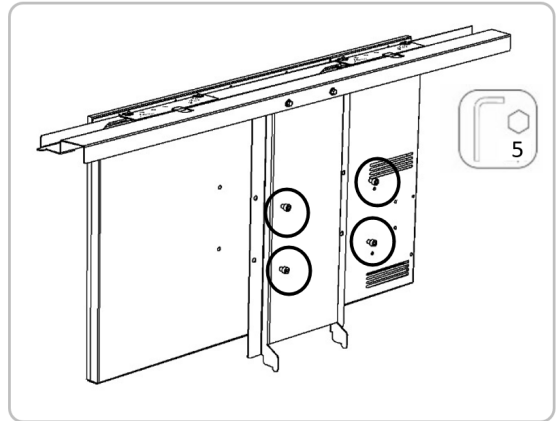


#### 3.5 Rear Screen Assembly

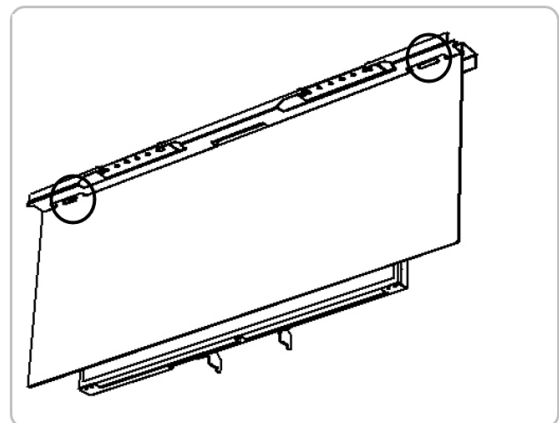
Install the rear screen bracket to the top LED rear screen bracket. Use 2 (M5 x 10) screws.



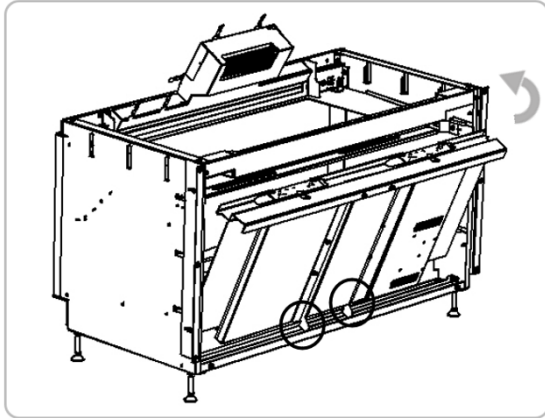
Use 4 M6x8 screws to attach the rear screen to the bracket. Remove the protective film from the screen.



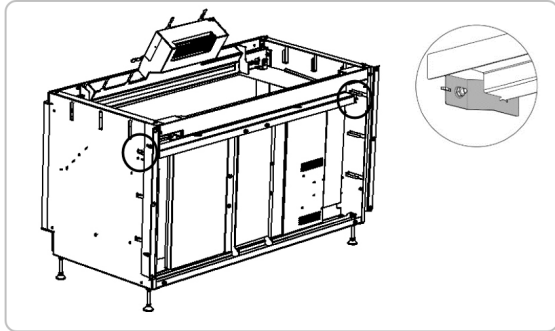
Remove the protective film from the rear screen mask. This is the plexiglass sheet with two tabs at the top. The mask will hang on the tabs at the top of the rear bracket.



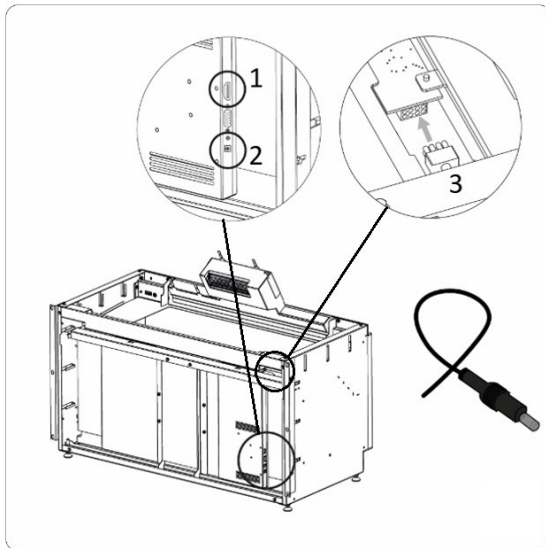
Install the rear screen assembly in the back of the fireplace. The bracket fits into slots at the back of the fireplace and will rotate forward into the spring clips at the top. **WARNING:** When rotating the screen forward move slowly. Be careful to not pinch or damage any cables. Be aware of your fingers and avoid pinch points.



After rotating the screen forward ensure both sides are locked into the spring clips. Make sure the rear screen mask is still in position.

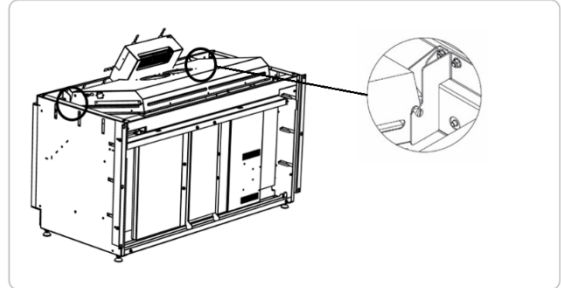


Connect the rear screen:  
 1. HDMI  
 2. Power  
 3. Top LED



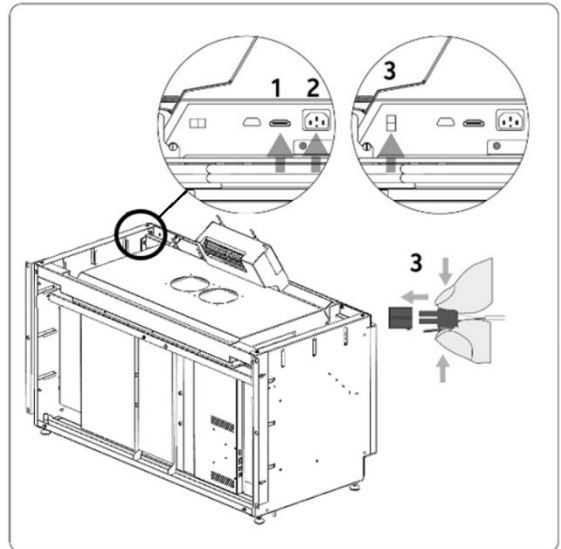
### 3.6 Top Screen Assembly

Remove the protective film from the top screen before installing it into the fireplace. The pegs at the front of the screen rest on brackets as shown below. When installing be aware of your fingers and avoid pinch points.

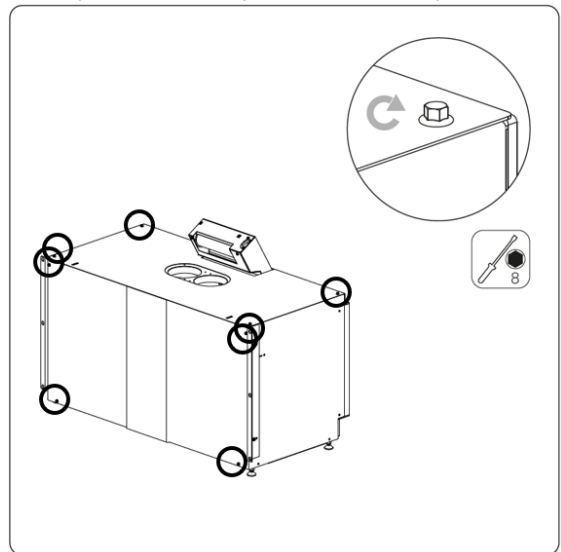


Connect the top screen:

1. HDMI
2. Power
3. Backlight



Replace the rear and top panels with 8 (M5 x 10) screws. The fireplace is now ready to be installed into your wall.



## 4 INSTALLING THE FIREPLACE

### 4.1 Light / Illumination

The E-one functions on the basis of hologram technology. This involves the use of a glass reflector that is placed at an angle in the fireplace. Depending on where the fireplace is positioned in the room, in exceptional cases, lighting above the fireplace can cause a transparent white reflection on the glass reflector.

### 4.2 Viewing Height

The E-one is best viewed straight on which allows for optimum viewing of the holographic flames. If the fireplace is installed too low in a wall it may be difficult to view the flames. If the fireplace is installed too high in a wall the top screen will be visible and detract from the realism of the fire.

### 4.3 Connecting Fireplace to Power

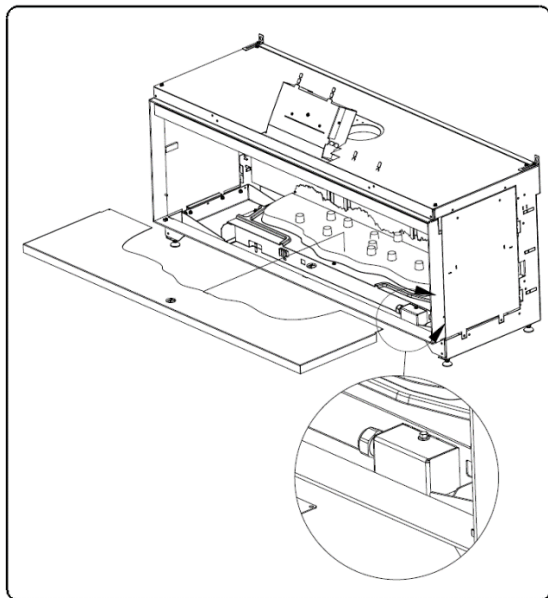
This fireplace must be hardwired to a 120V, 60Hz, 15Amp electric supply. Install on a dedicated 15Amp (or higher) breaker.

This appliance must be grounded.

Wiring procedures and connections shall be in accordance with the national and local codes having jurisdiction.

The fireplace is supplied with a cord inside the junction box at the front right of the fireplace. This must be hardwired to house power. To access the junction box at the front right of the fireplace remove the bottom plate by removing 2 M5 x 10 bolts on each side of the plate. Then lift the bottom plate out of the fireplace. Remove the screw on the top of the junction box to remove the box and access the wires.

Black or Brown wire → Live  
White or Blue wire → Neutral  
Green/Yellow wire → Ground



### 4.4 Ventilation Openings

The chase the fireplace is installed in must have sufficient ventilation for the fireplace to function correctly. A minimum of 15 1/2 in<sup>2</sup> (100 cm<sup>2</sup>) of free area is required. One way to accomplish the required ventilation is to cut a hole in the chase and install a 10" x 4" return air grill.

### 4.5 Framing Dimensions

Recommended framing is shown below.

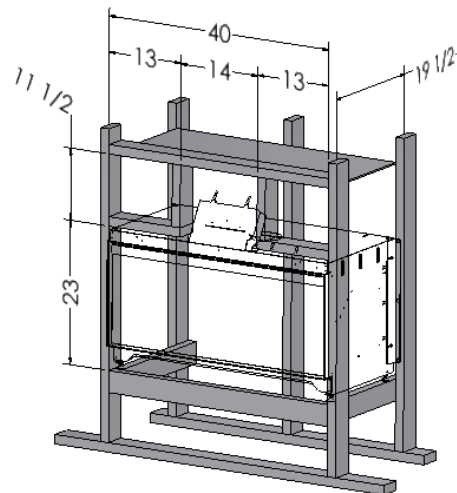
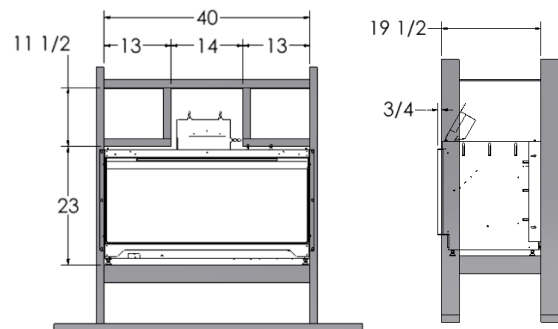
Minimum space requirement to fit the fireplace are:

Width – 40"    Height – 34 1/2"    Depth – 19 1/2"

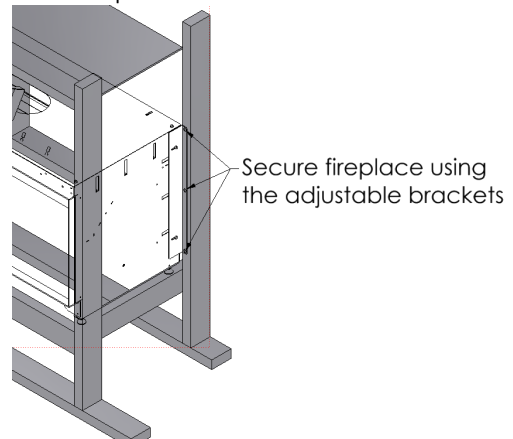
The ceiling of the enclosure must be at least 6" above the top of the heater or 11 1/2" above the top of the fireplace.



**Warning: Do not frame in front of the heater. Doing so will not allow the heater to be removed for service.**



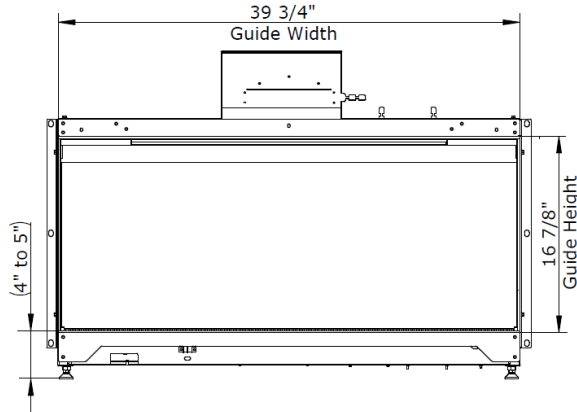
Once the fireplace is in position and level, secure it to the back of the enclosure using the adjustable brackets at the rear of the fireplace.



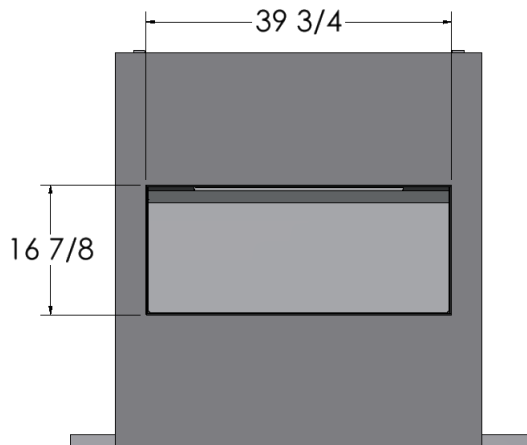
#### 4.6 Wall Dimensions

Finish the wall around the guides on the fireplace. The dimensions for the finished opening are shown below. The guides on the fireplace extend  $\frac{3}{4}$ " from the face of the fireplace. For the best finish use wall material that is  $\frac{3}{4}$ " thick.

The distance from the feet of the fireplace to the bottom guide can be adjusted between 4" and 5".

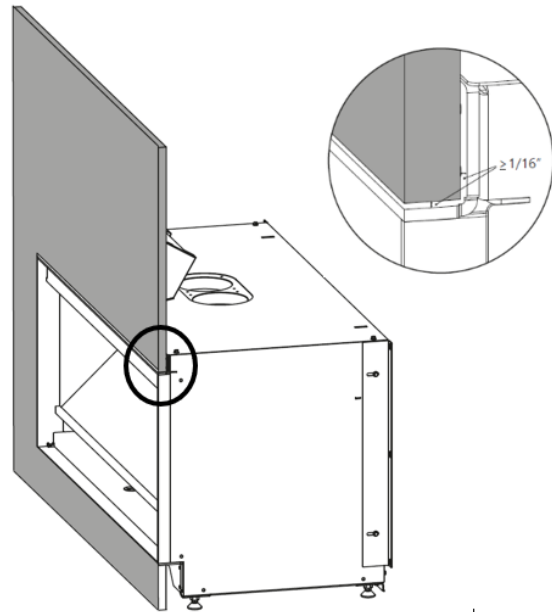


Temperatures above the heat outlet on the fireplace can reach temperatures up to 175°F. Materials used in this area must be rated for these temperatures. NetZero Fire is not responsible for damage to walls because of the use of improper materials or installation.



#### 4.7 Fireplace Finishing in Combination With Atmos Heating

When placing finishing material around the guides of the fireplace it is recommended that a minimum clearance of about 1/16 in. (2 mm) is maintained between the guides and the fireplace for heat transfer and expansion. The metal will expand when heated by the heater. If the finishing material is too tight to the guides this can result in heat transfer and material stress that could crack or damage the finishing material.



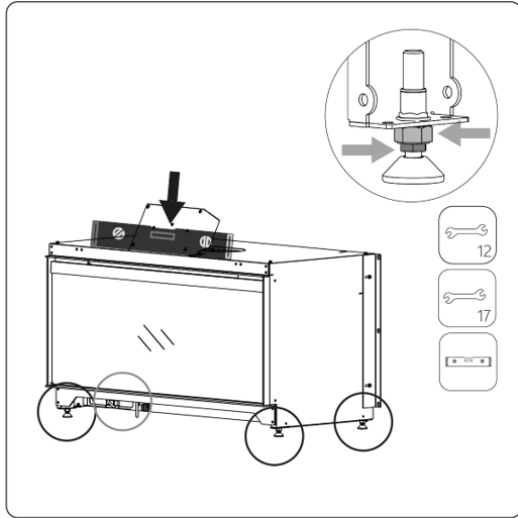


## 5 SETTING UP THE FIREPLACE

Place the fireplace in its final position before continuing to set up the fireplace.

Level the fireplace using the adjustable legs.

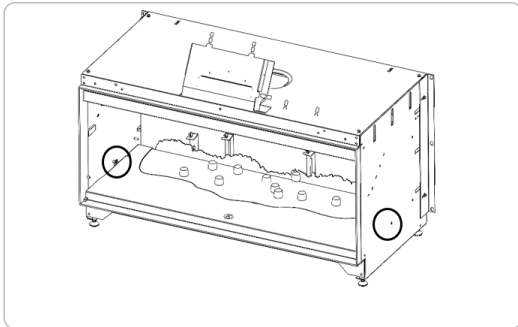
Once you have levelled the fireplace, it is strongly recommended that you attach it to the wall using the wall brackets for added stability and safety.



### 5.1 Flat Bottom Plate

The fireplace comes with a flat bottom plate. The bottom plate can be removed by removing 2 M5 x 10 bolts on each side of the plate. Removing the bottom plate will allow easier access to the junction box at the front of the fireplace during installation. After the fireplace is wired reinstall the bottom plate.

If the optional design bottom plates will be used the flat bottom plate must be removed and replaced with the design bottom plates.

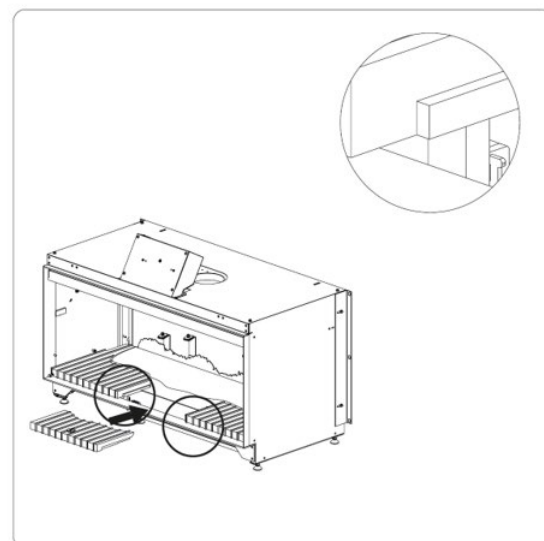
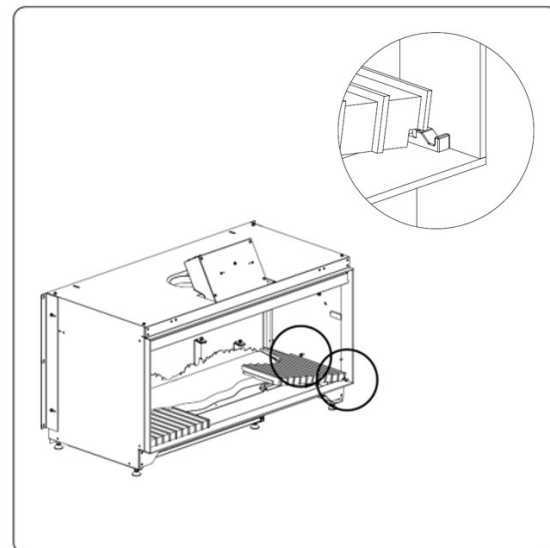
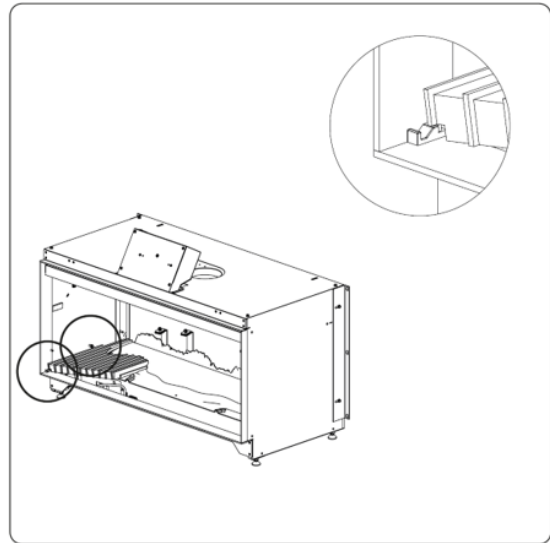


### 5.2 (Optional) Placing Design Bottom Plates

Please note: If a flat bottom plate was chosen, this step can be skipped.

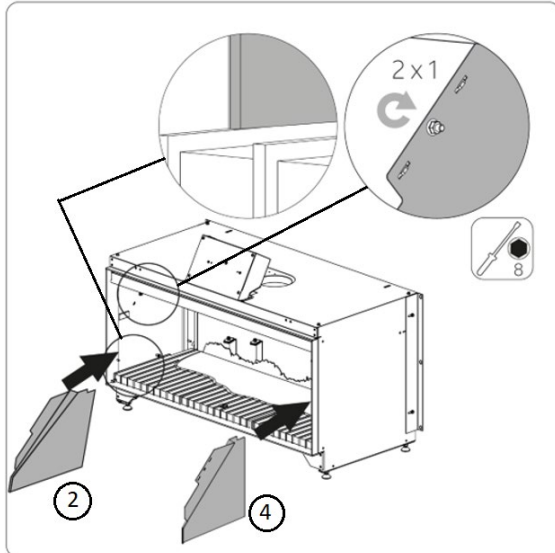


The design bottom plates are made of fragile material. Therefore, proceed with extreme caution when installing the bottom plates.



### 5.3 Placing Lower Sidewalls

The left lower sidewall has a 2 cut into the top flange of the part. The right lower sidewall has a 4 cut into the top flange of the part. The sidewalls are installed over a threaded stud on the wall of the fireplace. There are two slots in the top flange of the lower sidewalls that fit over tabs on the wall of the fireplace. These are used to align the lower sidewall panels. Attach the lower sidewalls with 2 M5 Nuts.



Make sure that the back of the lower side walls are parallel to the rear wall.

### 5.4 Log Set Installation



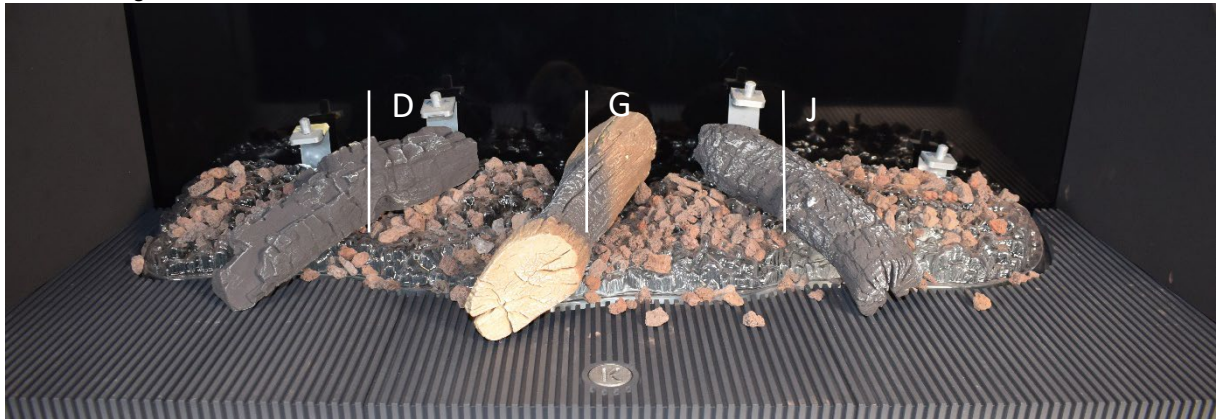
The logs are made of fragile material. Therefore, proceed with extreme caution when installing the logs.



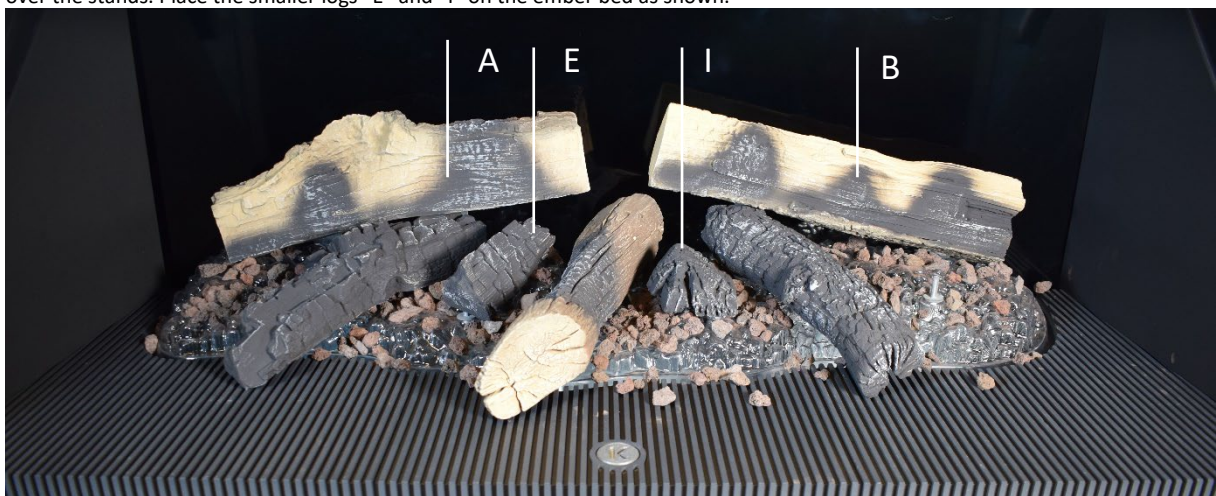
NOTE: Log set instructions are shown with the optional design bottom floor installed in the fireplace.

When installing the log set it is important that the logs are placed exactly as shown in these instructions. If logs are not placed correctly the projected flame will not line up with the logs. A letter is moulded on the bottom of each log to make identifying the log easy.

Start the log set installation by placing the first three logs on the ember bed as shown. Place lava stones on the ember bed around these three logs.



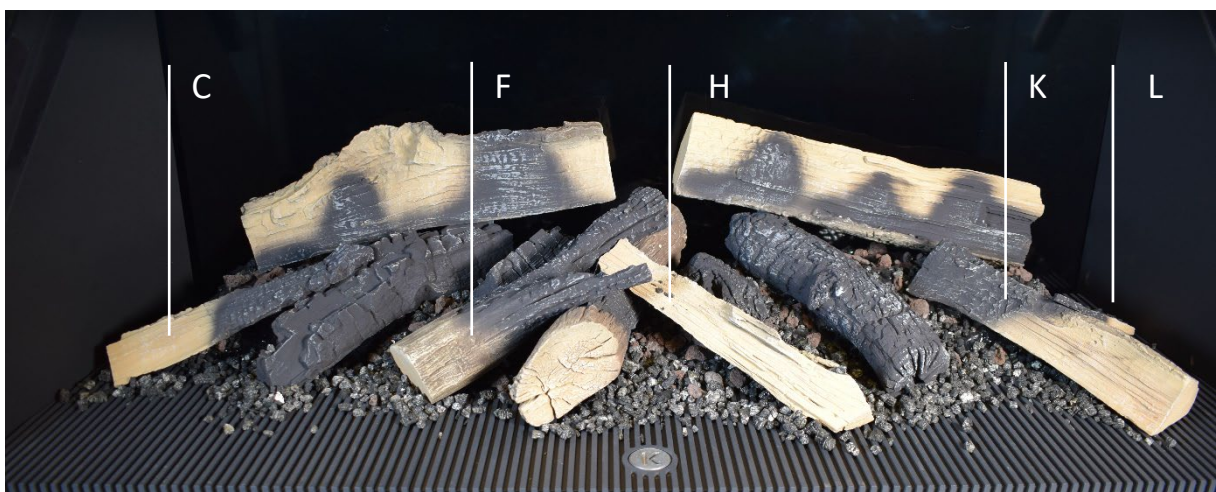
Next place the two larger logs "A" and "B" on the stands at the rear of the fireplace. These logs have cut outs on them that will fit over the stands. Place the smaller logs "E" and "I" on the ember bed as shown.



Before placing more logs sprinkle the vermiculite over the ember bed. There should be a light covering of vermiculite over the entire ember bed as well as on the floor plate around the ember bed. If too much vermiculite is placed on the ember bed the light of the ember bed will not be visible.

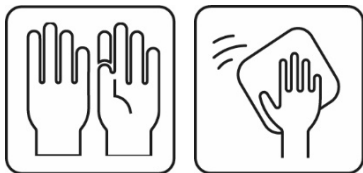
Finish the installation by placing the final five logs. Take special care when placing log "F". The tip of this log should be resting between the two rear logs "A" and "B". The fire is projected on the tip of the "F" log in this location if the log is not placed far enough back the fire will be floating and not on the log.

It is suggested that after the glass reflector is placed in the next installation step that the fireplace is turned on. This will allow the flames to be visible. The "F" log can then be adjusted if needed to line up with the flame.





## 5.5 Placing Glass Reflector



The glass reflector is susceptible to stains and fingerprints. For this reason, always use the supplied gloves for installation.

To clean the glass reflector, follow the cleaning instructions provided in the maintenance section of this manual.

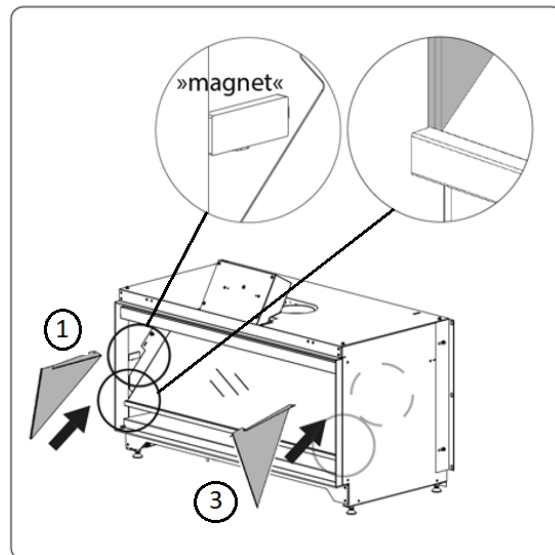
Remove the protective film from the glass reflector before installing the reflector into the fireplace. Be careful when installing to not damage the glass.

The glass reflector installs into the fireplace with the attached extrusion at the front with the notch in the extrusion facing down. Slide the glass reflector into the fireplace so it is resting on the ledge of the lower sidewalls. The extrusion at the front of the glass will fit over the two studs protruding from the side of the fireplace at the front.



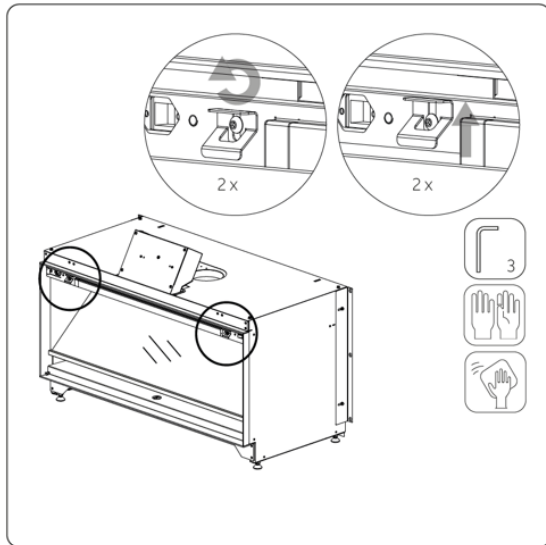
## 5.6 Placing Upper Side Walls

Install the upper side walls in the fireplace. The left-side wall has a 1 cut out in the top flange of the part. The right-side wall has a 3 cut out in the top flange of the part. Install the side walls by placing the bottom point against the extrusion on the glass reflector. Then rotate the side wall towards the wall and the magnet will hold it in place.

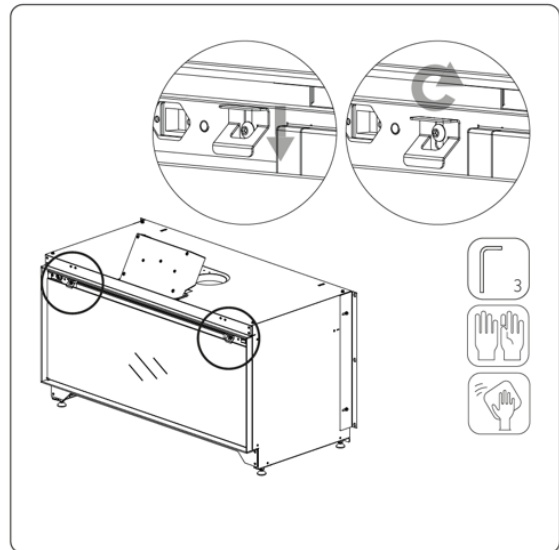


### 5.7 Placing Front Window

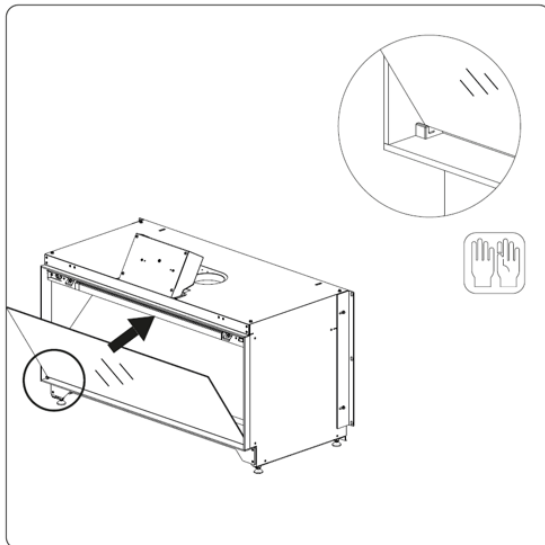
Loosen the screws to slide the retaining clips up. Do not remove the screws.



Tighten the screws on the clips so they are snug. Do not overtighten the screws.



Wear the included gloves to handle the front window. Place the front window into the two holders at the front of the fireplace. Then rotate the window up. Slide the loosened clips up so that the window can be positioned against the top of the fireplace. Then slide the clips down to hold the window in place.



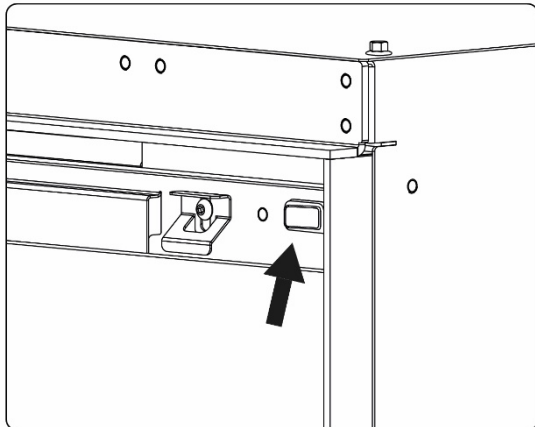
## 6 E-ONE OPERATION

With the E-one you can create your own fire experience through the various functions and/or options.

### 6.1 Main On/Off Switch

Power to the fireplace can be switched On/Off using the On/Off switch (I/O) on the front. The button is located at the top right, behind the hinged cover (see figure). Lift the cover up to access the switch.

If the unit is disconnected from power, the unit will be reset to the factory settings.

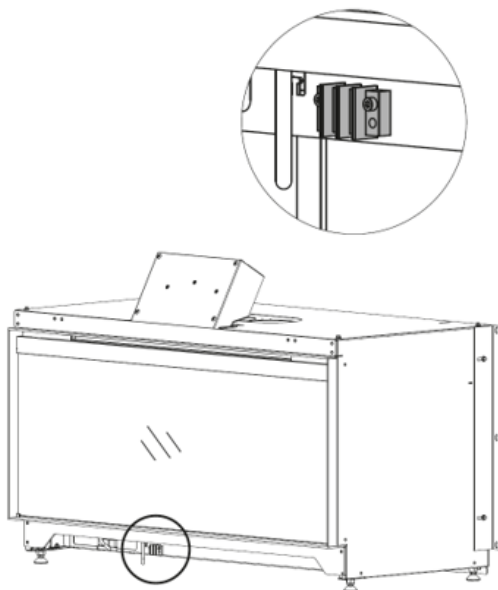


**IMPORTANT:** If you do not intend to use the unit for a long period of time, we advise you to switch off the unit by setting the power button on the unit to the 0 (Off) position.

### 6.2 Hotel Switch

The fireplace can be switched On/Off by means of an external switch. If the two luster terminals are connected together, the fireplace switches Off.

The terminals for connecting the switch are located at the front of the fireplace under the floor.

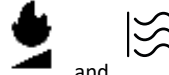




### 6.3 Remote Control Pairing

When the fireplace is used for the first time, the remote control will connect to the fireplace automatically. If the following symbol is projected on the rear screen, the remote control must be paired manually:



Pairing is done by pressing the two buttons as shown below:



Press the  and  buttons on the remote control at same time. Release the buttons when a red LED light flashes in the top-left corner of the remote control. You will know when the remote control is paired with the E-one successfully once the Bluetooth symbol is no longer visible.

## 6.4 E-One Remote and Symbols



### Atmos Heating (ON/OFF switch)

The specially developed Atmos Heating element provides a pleasant atmospheric warmth, contributing to the ultra-realistic fire experience.



### Flame Appearance

Create your own flame appearance by choosing between three flame types and adjust the flame intensity as desired.



### Adjustable Flame Height

The flame height is adjustable from positions 1 to 5. The 6th position is the Flame Shuffle mode. In Flame Shuffle mode, dynamic flames are created by shuffling through the flame heights.

**NOTE:** This feature is not available when flame type "A" is selected.



### Atmos Lighting

Atmos Lighting projects true shadow effects on the logs, enhancing the ultra-realistic fire experience. The intensity is adjustable from level 0 to 5. The Dynamic Atmos Lighting mode creates a dynamic flicker effect within the interior.

When the fireplace is in Anti-Reflect mode, the intensity of the Atmos Lighting can be adjusted from 0 to level 5.



### Ember Bed

The ember bed simulates the real glowing bed of a fire. The intensity is adjustable from level 0 to 5. The Dynamic ember bed mode creates a dynamic flicker effect at the bottom of the logs.



### Sound

Choose between the full-bodied crackling sound of pine wood or the calmer and relaxing sound of beech wood. The sound of burning wood in combination with lifelike sparks enable a true sensory experience. The volume can be adjusted from level 0 to 5.



### Power Button

This button has three functions: On, Anti-Reflect, Off.

### Switching the fireplace On

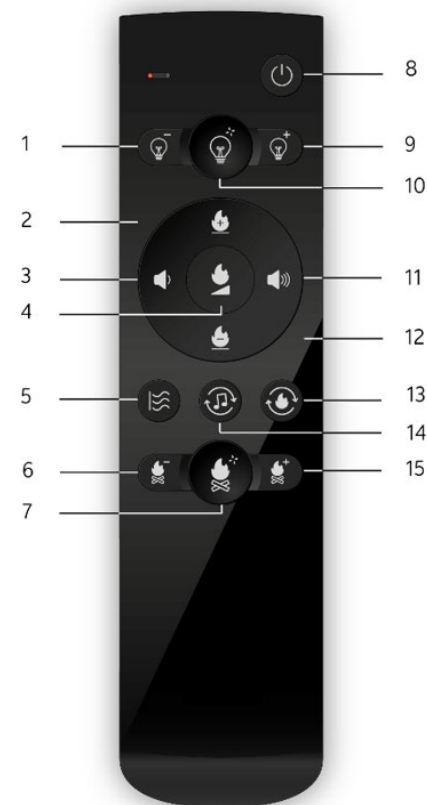
Briefly press the power button. It takes about 30 seconds for the fireplace to fully start up.

### Anti-Reflect Function

When the fireplace is on briefly press the power button to turn the fireplace off with the anti-reflect mode activated. In this standby mode, the fireplace will be attractively lit. This provides a nice view of the logs, even when the fire is not burning.

### Switching the fireplace Off

Press and hold the power button for two seconds to shut the fireplace completely off.



1. Atmos Lighting Dimmer
2. Flames Higher/Flame Shuffle
3. Sound Softer
4. Flame Intensity
5. Atmos Heating
6. Ember Bed Dimmer
7. Dynamic Ember Bed On/Off
8. Power On/Off/Anti-Reflect
9. Atmos Lighting Brighter
10. Dynamic Atmos Lighting On/Off
11. Sound Louder
12. Flames Lower
13. Adjustable Flame Type
14. Sound
15. Ember Bed Brighter

## 7 MAINTENANCE

**CAUTION:** Before cleaning, make sure the power has been turned off at the circuit breaker panel and that the heating element of the heater is cool.

### 7.1 Cleaning The Fireplace

Use a microfiber cloth or other soft cloth to clean the black powder-coated parts of the fireplace. Never use any solvents or aggressive cleaning agents. The use of sandpaper, steel wool or brushes and scouring pads is strictly not recommended. This will leave scratches on the coating.

### 7.2 Cleaning The Glass Reflector

The glass reflector that is placed at an angle in the fireplace must be treated with care.

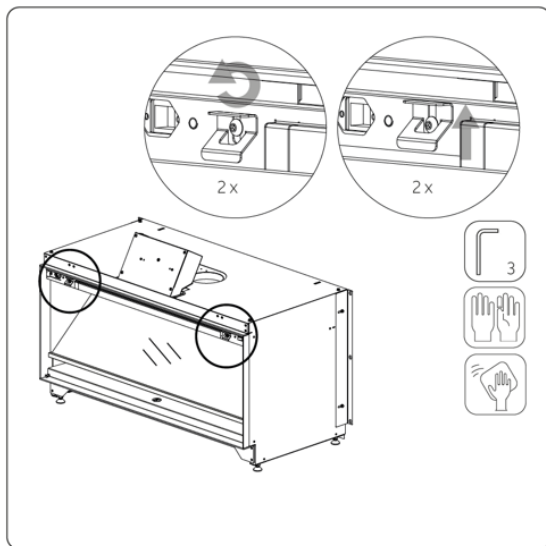
Instructions for cleaning the glass reflector:

- Only clean the glass with clean water: cleaning products are not recommended.
- Just dust the window or dry it with a clean microfiber cloth.
- Always dry the pane completely: water residue is difficult to remove.

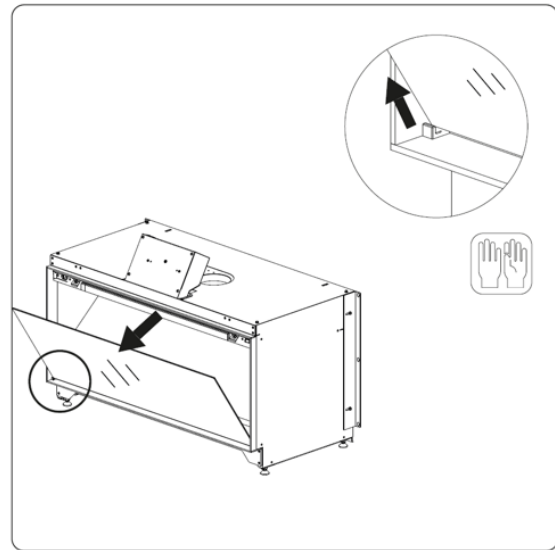
Do not clean the glass reflector with any cleaning products, abrasives, cerium oxide, etc. Never use hard materials such as steel wool, razor blades, etc.

To clean the glass reflector, remove the front window from the fireplace. To do so, follow these steps:

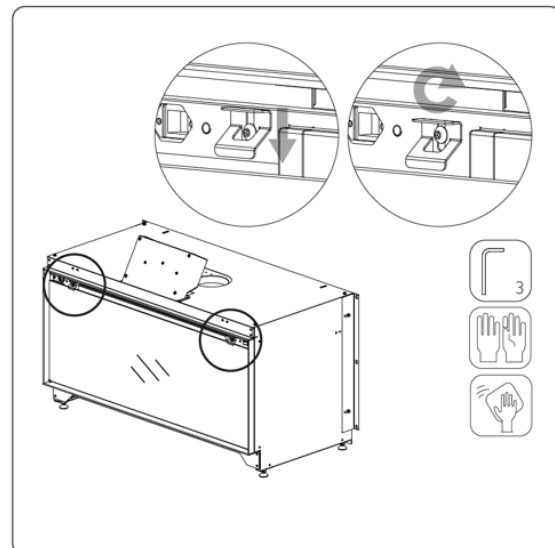
Loosen the screws and slide the retaining clips up.



Lean the top of the glass down and carefully remove it from the fireplace. The glass reflector can now be accessed and cleaned.



Replace the front window and secure the retaining clips. Tighten the screws so they are snug. Do not overtighten.





## 8 WARRANTY

NetZero Fire extends this 2-year Warranty to the original purchaser of this appliance provided the product remains in the original place of installation. The policy is not transferable, amendable, or negotiable under any circumstances.

Warranty protects against defect in manufacture or NetZero Fire factory assembled components only, unless herein specified otherwise.

It remains the full responsibility of the owner to operate this appliance within the guidelines provided in the Installation and Operating Instructions Manual accompanying this appliance.

Any part(s) found to be defective during the warranty period as outlined above will be repaired or replaced at NetZero Fire's option through an accredited distributor, dealer or pre-approved and assigned agent provided that the defective part is returned to the distributor, dealer or agent for inspection if requested by NetZero Fire.

The authorized selling dealer, or an alternative authorized NetZero Fire dealer if pre-approved by NetZero Fire, is responsible for all infield diagnosis and service work related to all warranty claims. NetZero Fire is not responsible for results or costs of workmanship of unauthorized NetZero Fire dealers or agents in the negligence of their service work.

At all times NetZero Fire reserves the right to inspect reported complaints on location in the field claimed to be defective prior to processing or authorizing of any claim. Failure to allow this upon request will void the warranty.

All warranty claims must be submitted by the dealer servicing the claim, including a copy of the Bill of Sale (proof of purchase by you). All claims must be complete and provide full details as requested by NetZero Fire to receive consideration for evaluation. Incomplete claims may be rejected.

Unit must be installed according to all manufacturers' instructions as per the manual by a NetZero Fire authorized dealer, an authorized dealer technician or an authorized service person only. All Local and National required codes must be met. The installer is responsible to ensure the unit is operating as designed at the time of installation.

Repair/replacement parts purchased by the consumer from NetZero Fire after the original coverage has expired on the unit will carry a 90-day warranty, valid with a receipt only. Any item shown to be defective will be repaired or replaced at our discretion. No labor coverage is included with these parts.

Freight damages for products or parts are not covered under the terms of the warranty.

## 9 TECHNICAL DATA

### 9.1 Specifications

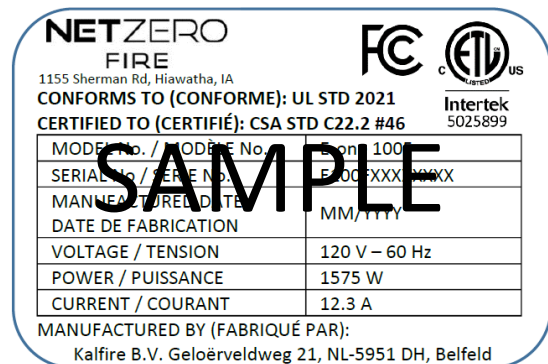
NetZero Kalfire E-one  
 Model: E-one 100F  
 Input: 120V – 60Hz – 12.3Amp  
 Power: 1,575 Watt  
 Heater output: 5,220 Btu/hr

Energy consumption per operating mode	
standby mode (W)	9.2
standby mode, incl. anti-reflect function (W)	12
full operating mode, excl. Atmos Heating (W)	70.2
full operating mode, incl. Atmos Heating (W)	1,575

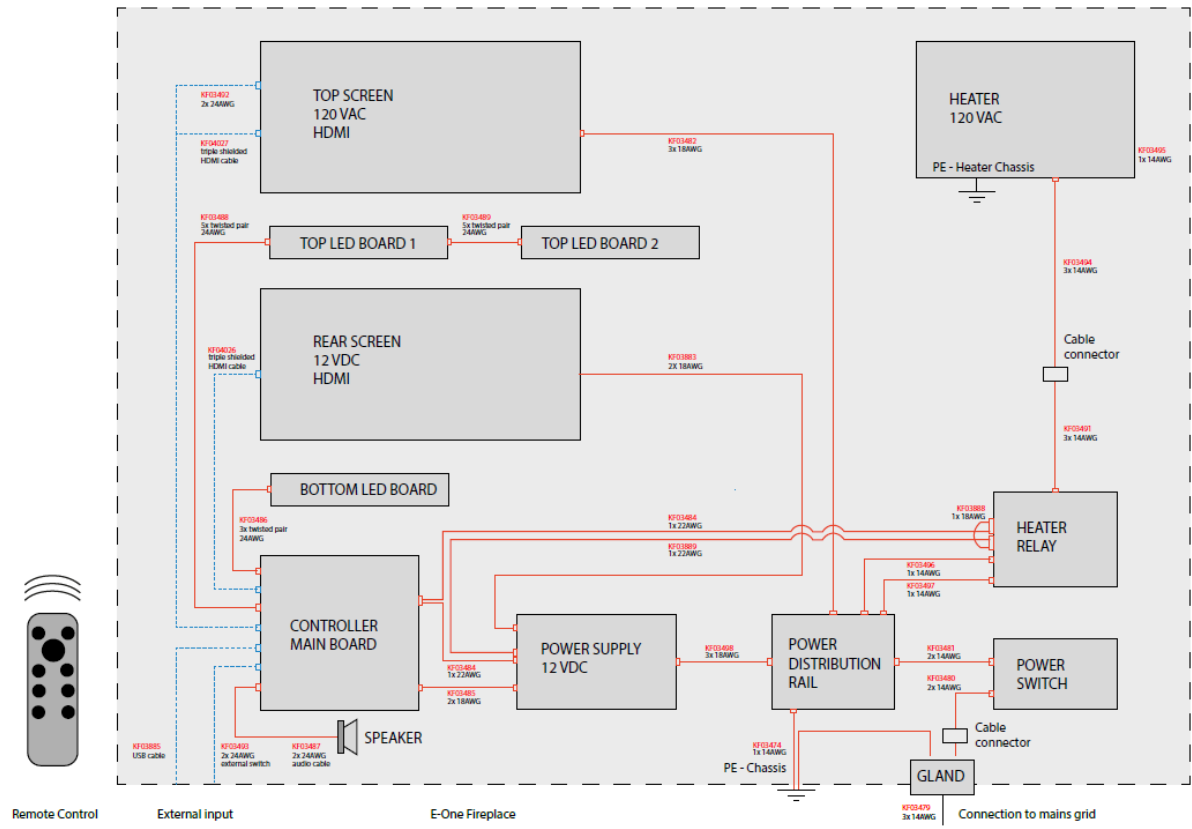
This fireplace must be hardwired to a 120V 15Amp electric supply. Wiring procedures and connections shall be in accordance with the national and local codes having jurisdiction.

### 9.2 Serial Number Label

The serial number for the fireplace can be found inside the fireplace on the left-hand side. To view the serial number label, remove the front glass from the fireplace. Then remove the panel that is magnetized to the left side of the fireplace.



### 9.3 Wire Diagram

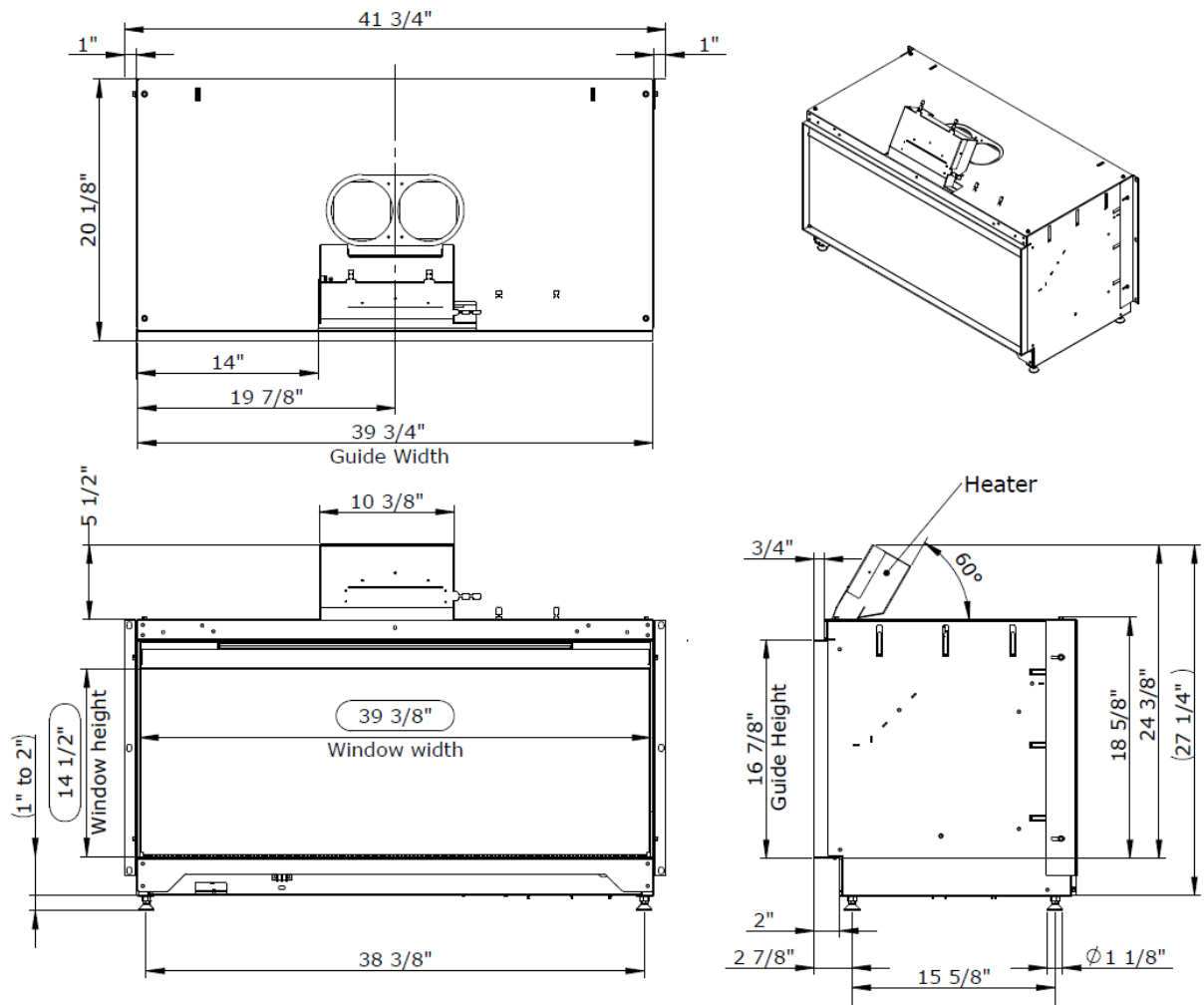


### 9.4 Dimension Drawing

For framing the fireplace follow the framing dimensions and instructions given in this manual.



**Warning: The ceiling of the enclosure must be at least 6" above the top of the heater or 11 1/2" above the top of the fireplace. Do not frame in front of the heater. Doing so will not allow the heater to be removed for service.**



# NETZERO FIRE

**NETZEROFIRE.COM**

1155 Sherman Rd, Hiawatha, IA 52233  
(800)553-5422

NetZero is a distributor of these products, which are designed and manufactured by Kalfire B.V.  
**THERE ARE NO WARRANTIES WHICH EXTEND BEYOND THE DESCRIPTION ON THE FACE HEREOF AND SUPPLIED  
MANUALS. IMPLIED WARRANTIES OF MERCHANTABILITY, IMPLIED WARRANTIES OF FITNESS, IMPLIED  
WARRANTIES OF WORKMANSHIP AND OTHER IMPLIED WARRANTIES ARE *EXCLUDED* BY NETZERO.**